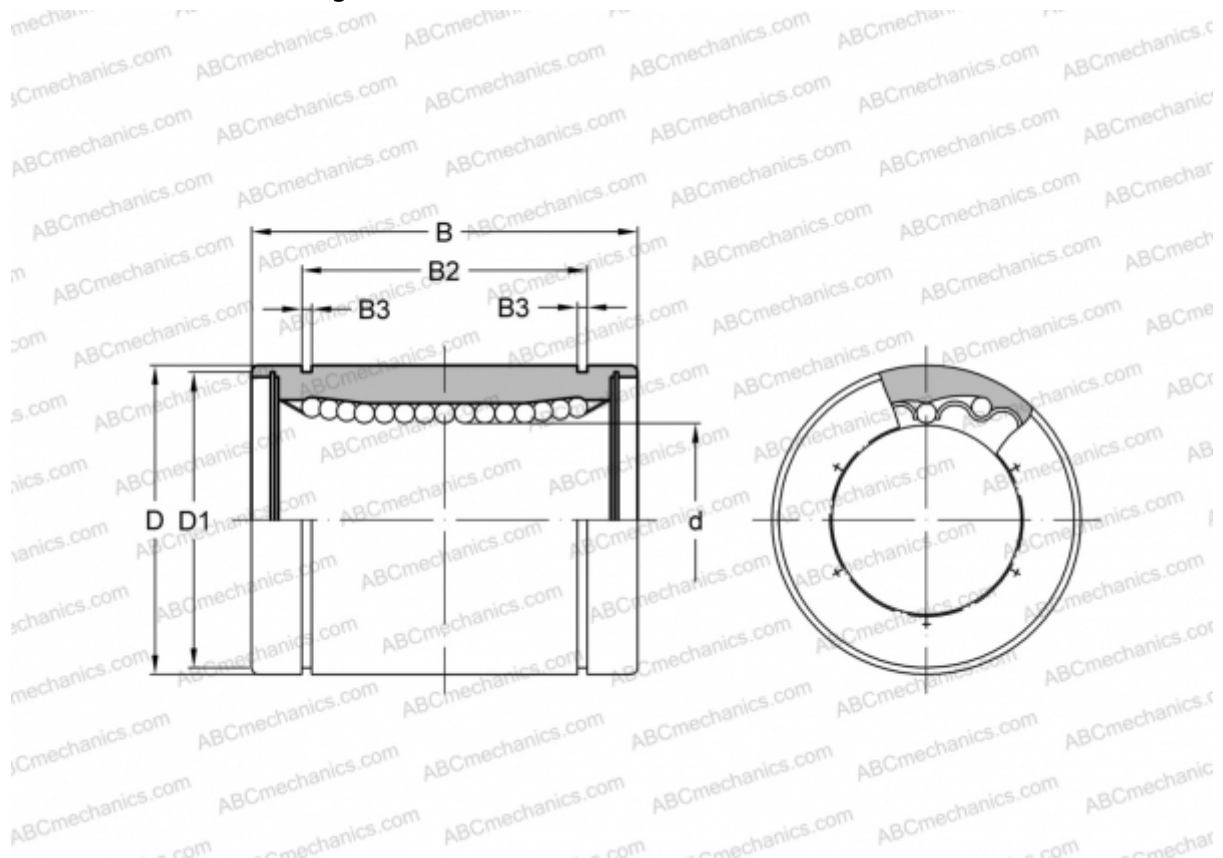


## SMS 80G NB

Linear bushing

TYPE: Shaft guidance systems, Linear bushing, Standard, Close type, Type SM, Asian standard, Corrosion resistance, Plastic cage (NB)



### Technical specification

#### DIMENSIONS, MM

d	80,000
D	120,000
B	140,000
D1	116,000
B2	105,500
B3	4,150

**WEIGHT, KG** 4,520

**MANUFACTURER** [NB](#)