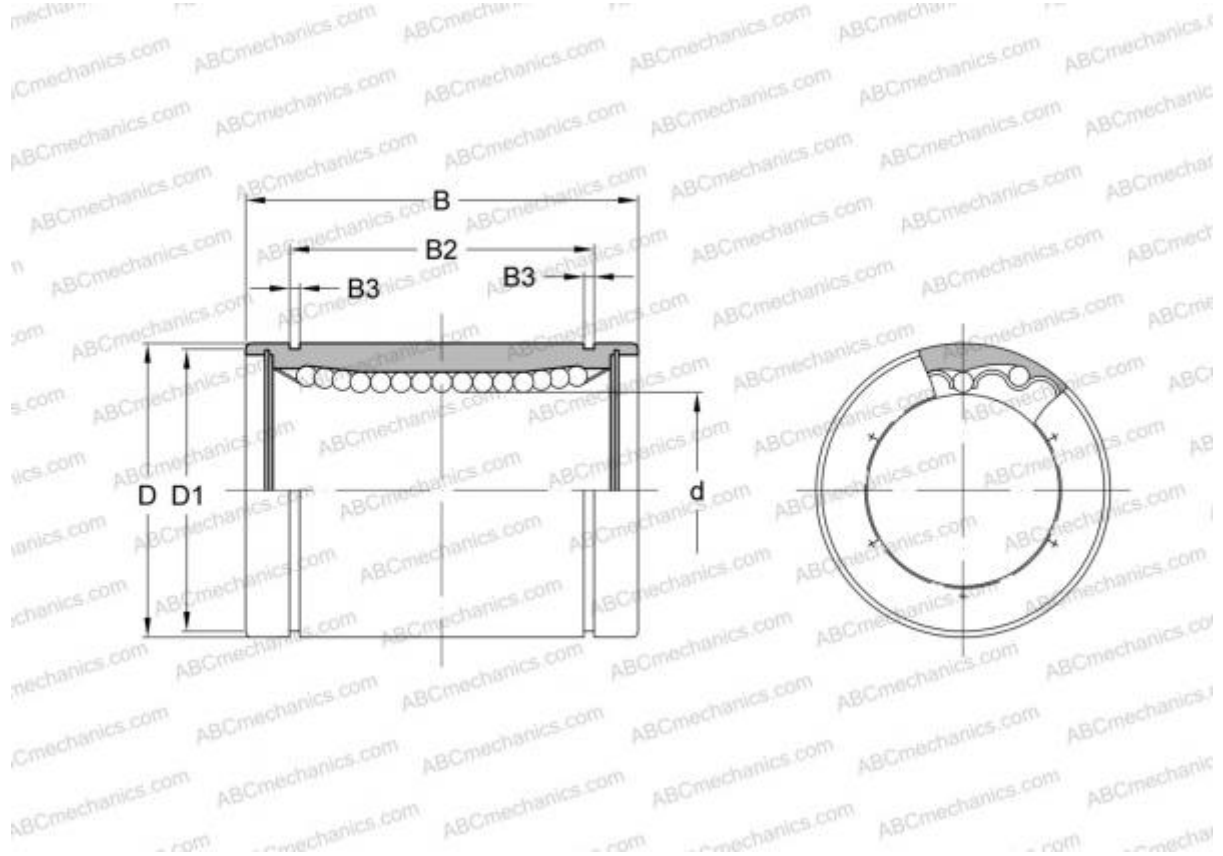


## LBD 50 ABC

Linear bushing

TYPE: Shaft guidance systems, Linear bushing, Standard, Close type, Type LBD



### Technical specification

#### DIMENSIONS, MM

d	50,000
D	80,000
B	100,000

**WEIGHT** 1,390

**MANUFACTURER** [ABC](#)

#### INTERCHANGE

IKO [LBD 50](#)