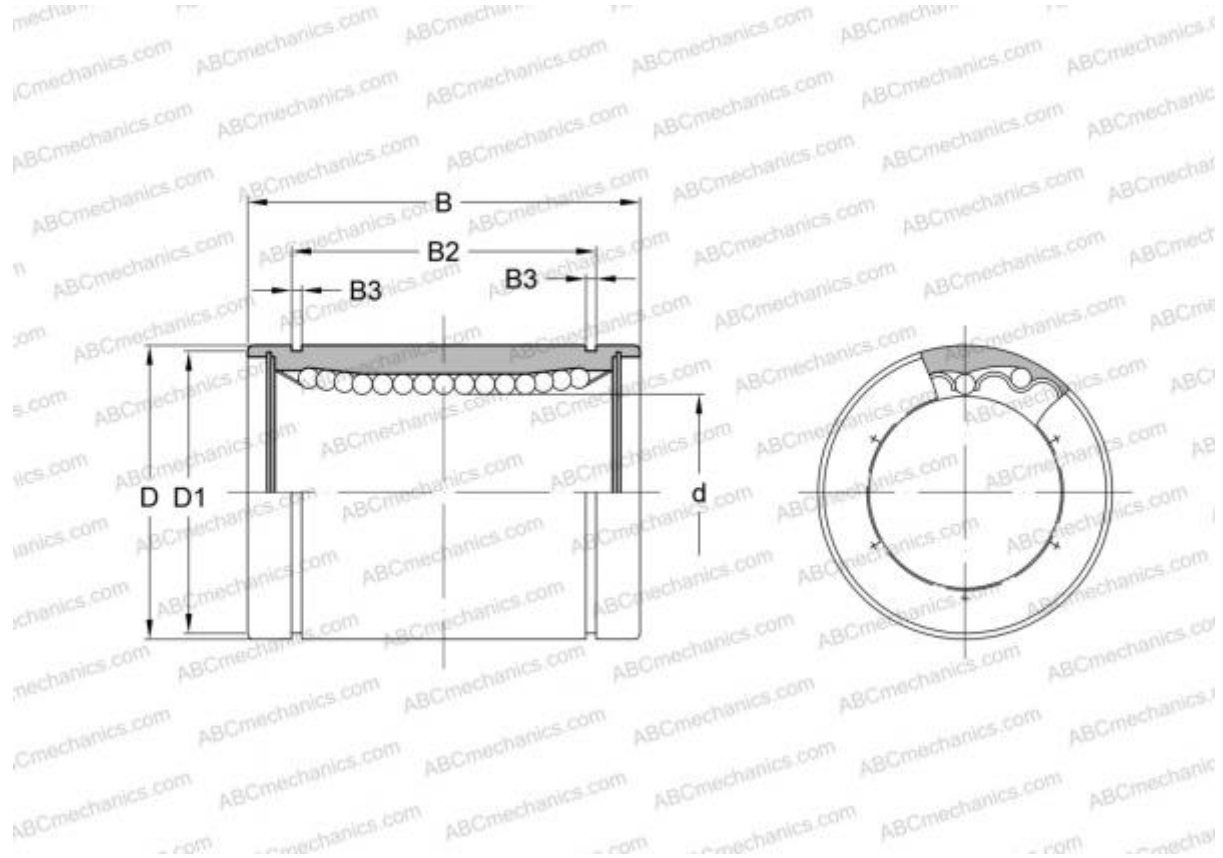


LBD 50 IKO

Linear bushing

TYPE: Shaft guidance systems, Linear bushing, Standard, Close type, Type LBD



Technical specification

DIMENSIONS, MM

d	50,000
D	80,000
B	100,000

WEIGHT 1,390

MANUFACTURER [IKO](#)

INTERCHANGE

ABC	LBD 50
-----	------------------------

CALCULATION DATA

Basic dynamic load rating min	3,940 kN
Basic dynamic load rating max	4,180 kN
Basic static load rating min	7,130 kN
Basic static load rating max	9,120 kN