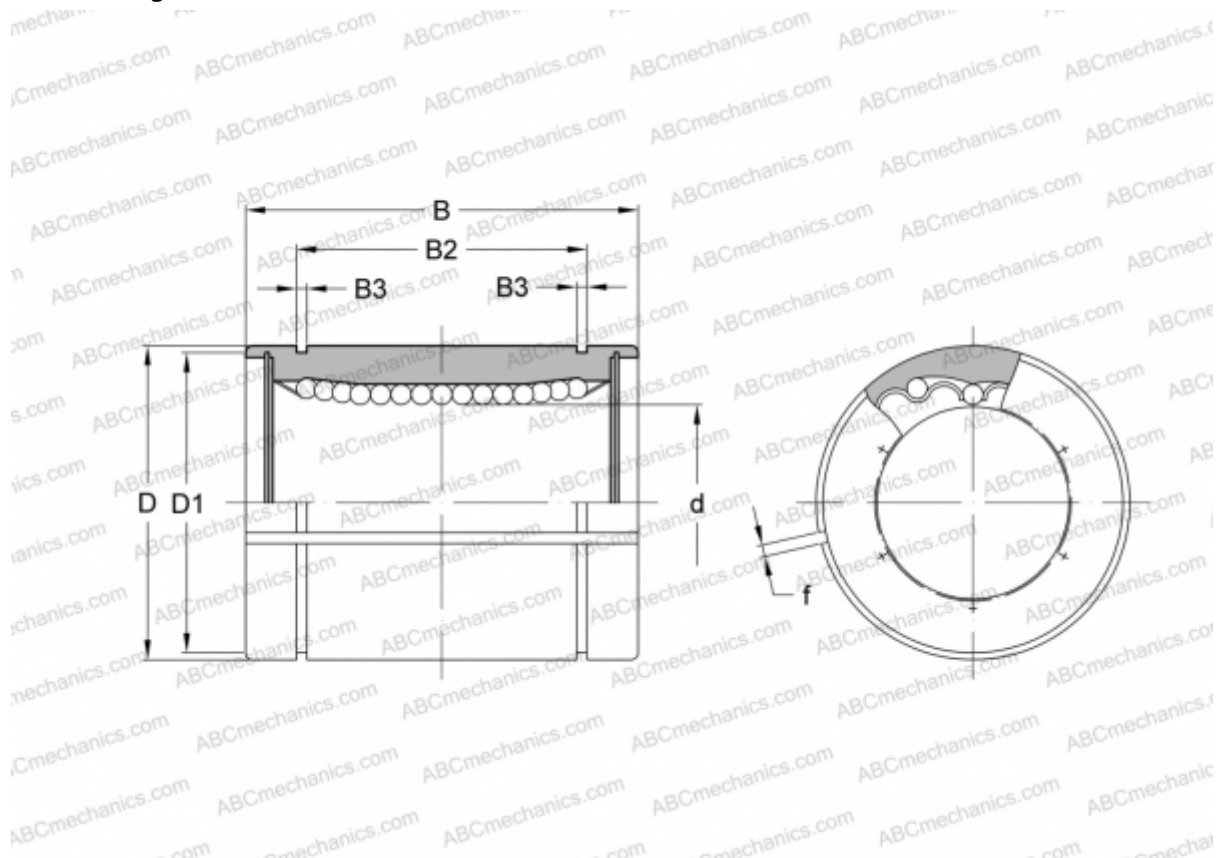


SM 12-AJ NB

Linear bushing

TYPE: Shaft guidance systems, Linear bushing, Standard, Adjustable type, Type SM..AJ, Asian standard, Steel cage (NB)



Technical specification

DIMENSIONS, MM

d	12,000
D	21,000
B	30,000
D1	20,000
B2	23,000
B3	1,300
f	1,500

WEIGHT, KG 0,041

MANUFACTURER [NB](#)