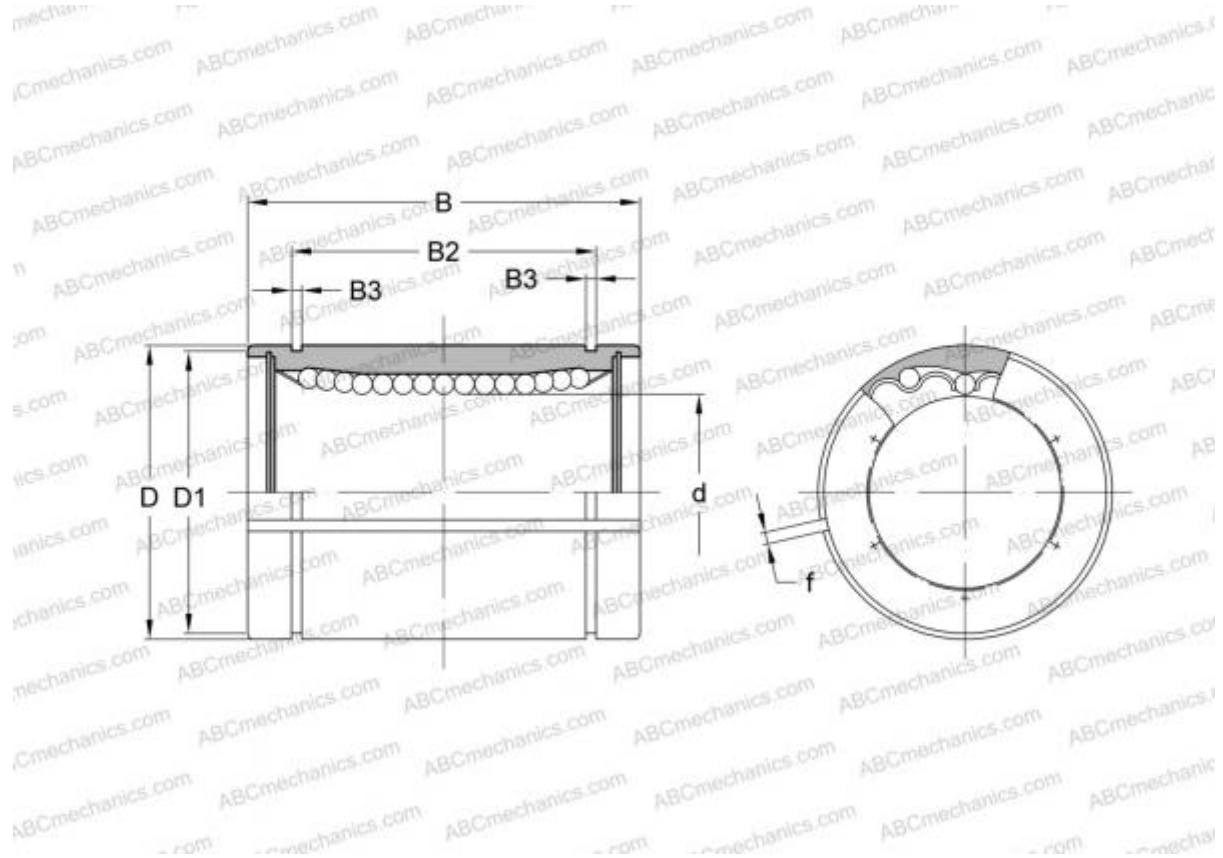


LBD 10 AJ IKO

Linear bushing

TYPE: Shaft guidance systems, Linear bushing, Standard, Adjustable type, Type LBD..AJ



Technical specification

DIMENSIONS, MM

d	10,000
D	19,000
B	29,000
f	1,500

WEIGHT, KG 0,025

MANUFACTURER [IKO](#)

INTERCHANGE

ABC [LBD 10 AJ](#)

CALCULATION DATA

Basic dynamic load rating min	0,197 kN
Basic dynamic load rating max	0,226 kN
Basic static load rating min	0,405 kN
Basic static load rating max	0,573 kN