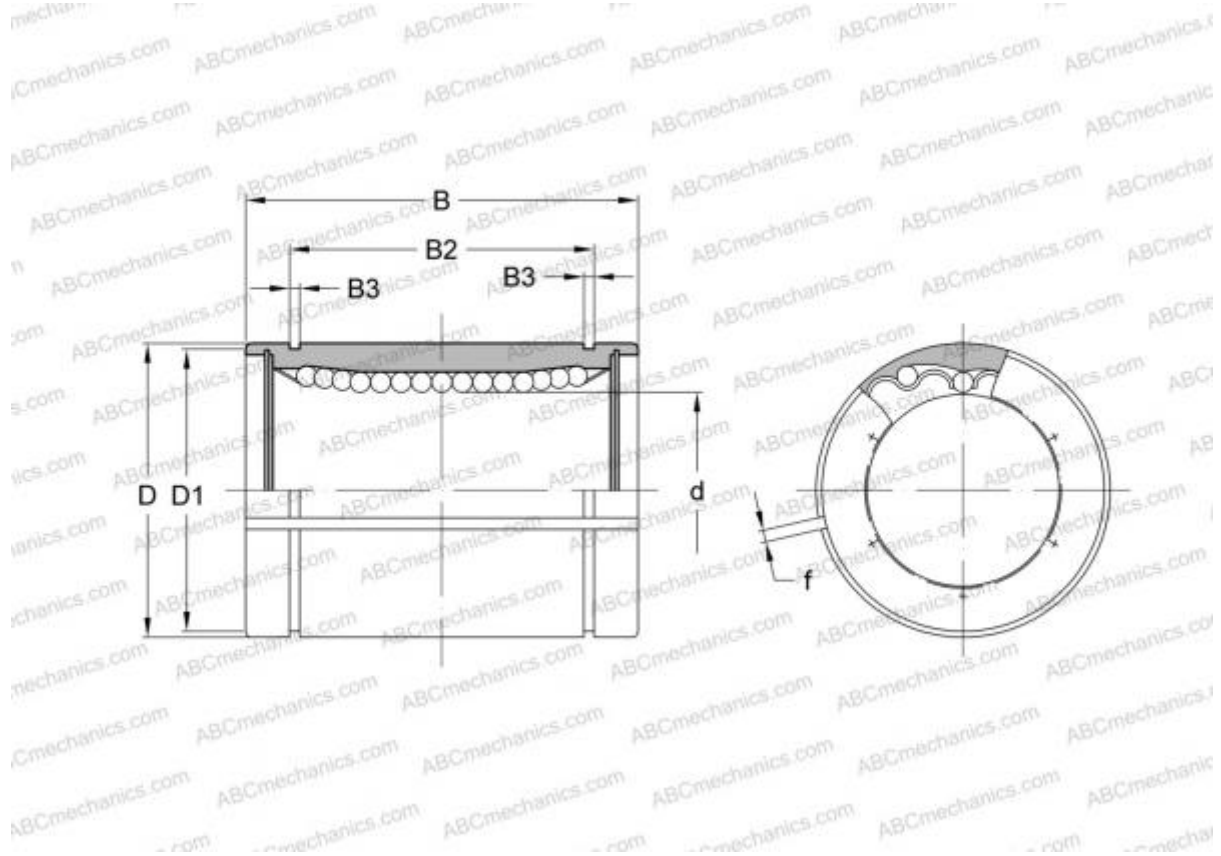


## LBD 13 AJ ABC

Linear bushing

TYPE: Shaft guidance systems, Linear bushing, Standard, Adjustable type, Type LBD..AJ



### Technical specification

#### DIMENSIONS, MM

d	13,000
D	23,000
B	32,000
f	1,500

**WEIGHT, KG** 0,041

**MANUFACTURER** [ABC](#)

#### INTERCHANGE

IKO [LBD 13 AJ](#)