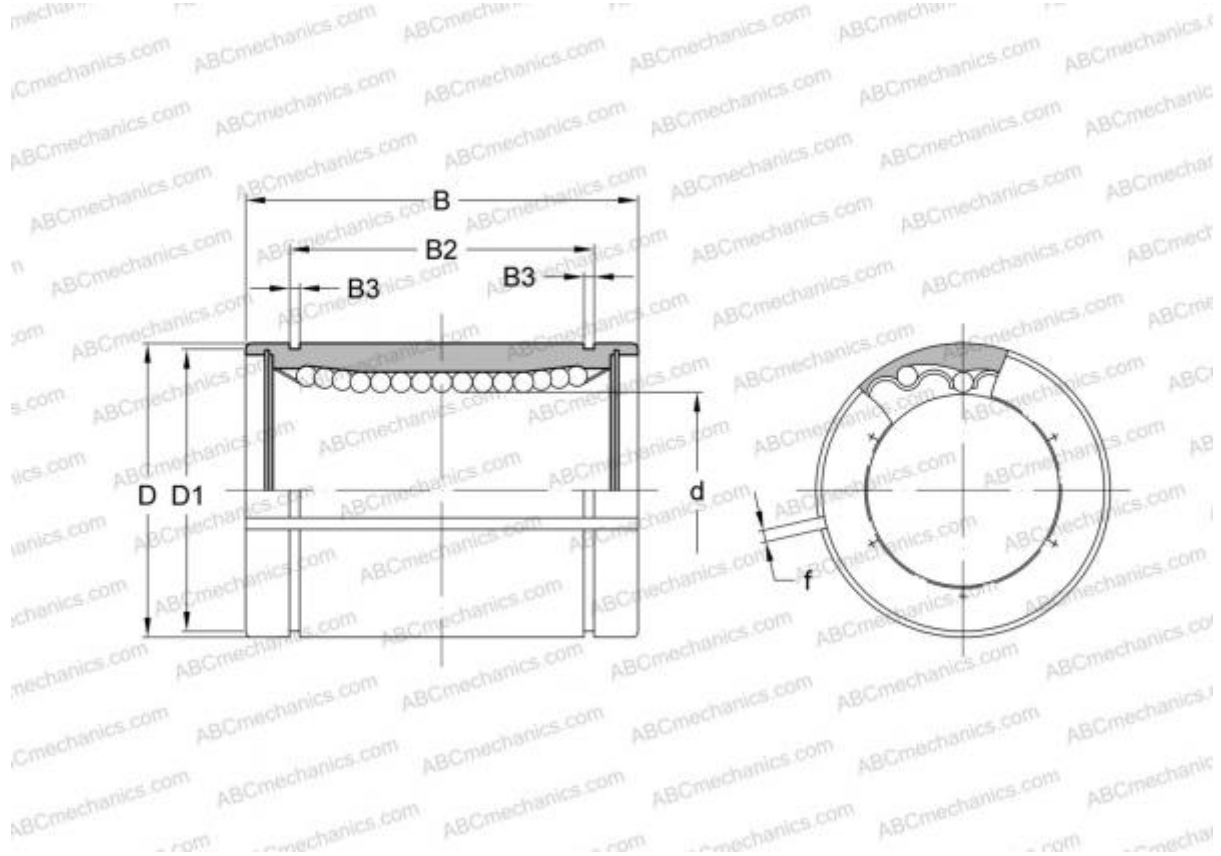


LBD 25 AJ ABC

Linear bushing

TYPE: Shaft guidance systems, Linear bushing, Standard, Adjustable type, Type LBD..AJ



Technical specification

DIMENSIONS, MM

d	25,000
D	40,000
B	59,000
f	2,000

WEIGHT, KG 0,158

MANUFACTURER [ABC](#)

INTERCHANGE

IKO [LBD 25 AJ](#)