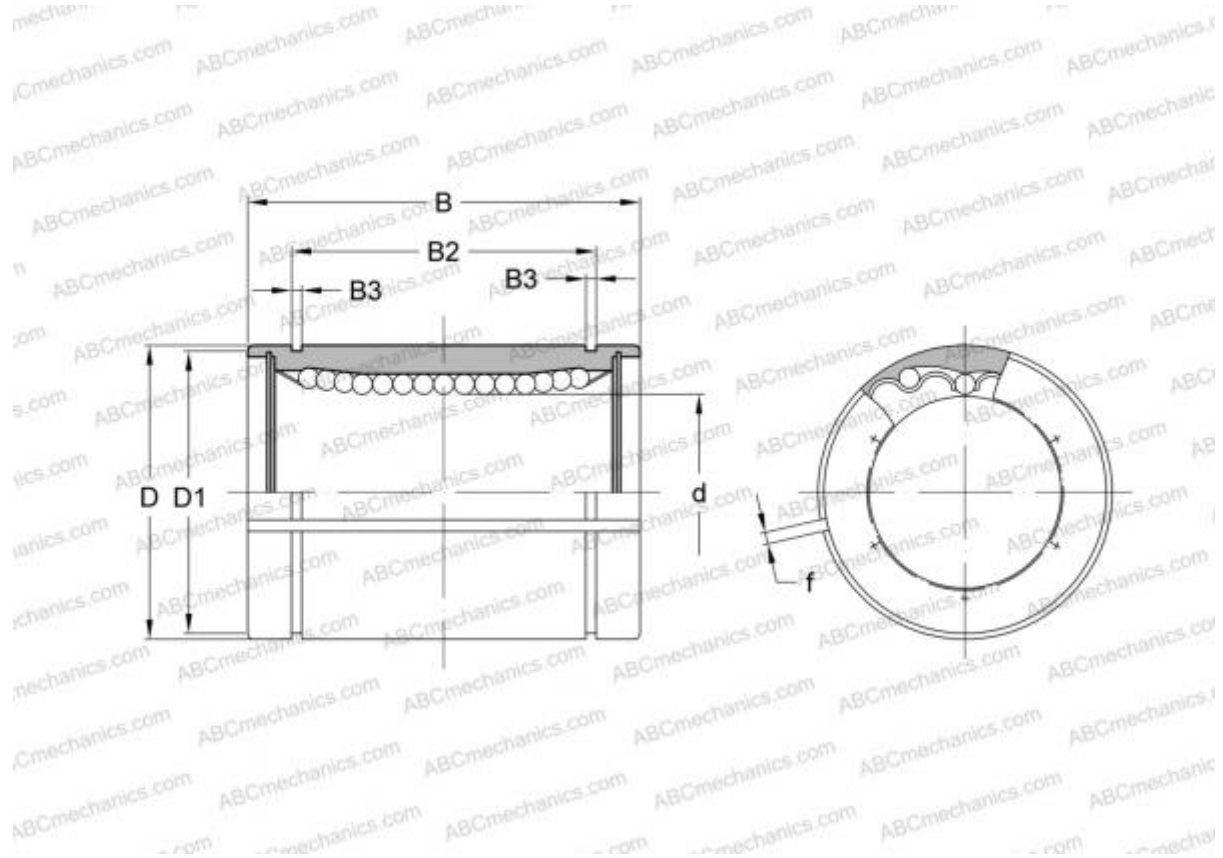


## LBD 25 AJ IKO

Linear bushing

TYPE: Shaft guidance systems, Linear bushing, Standard, Adjustable type, Type LBD..AJ



### Technical specification

#### DIMENSIONS, MM

d	25,000
D	40,000
B	59,000
f	2,000

**WEIGHT, KG** 0,158

**MANUFACTURER** [IKO](#)

#### INTERCHANGE

ABC	<a href="#">LBD 25 AJ</a>
-----	---------------------------

#### CALCULATION DATA

Basic dynamic load rating min	1,070 kN
Basic dynamic load rating max	1,270 kN
Basic static load rating min	2,020 kN
Basic static load rating max	2,960 kN