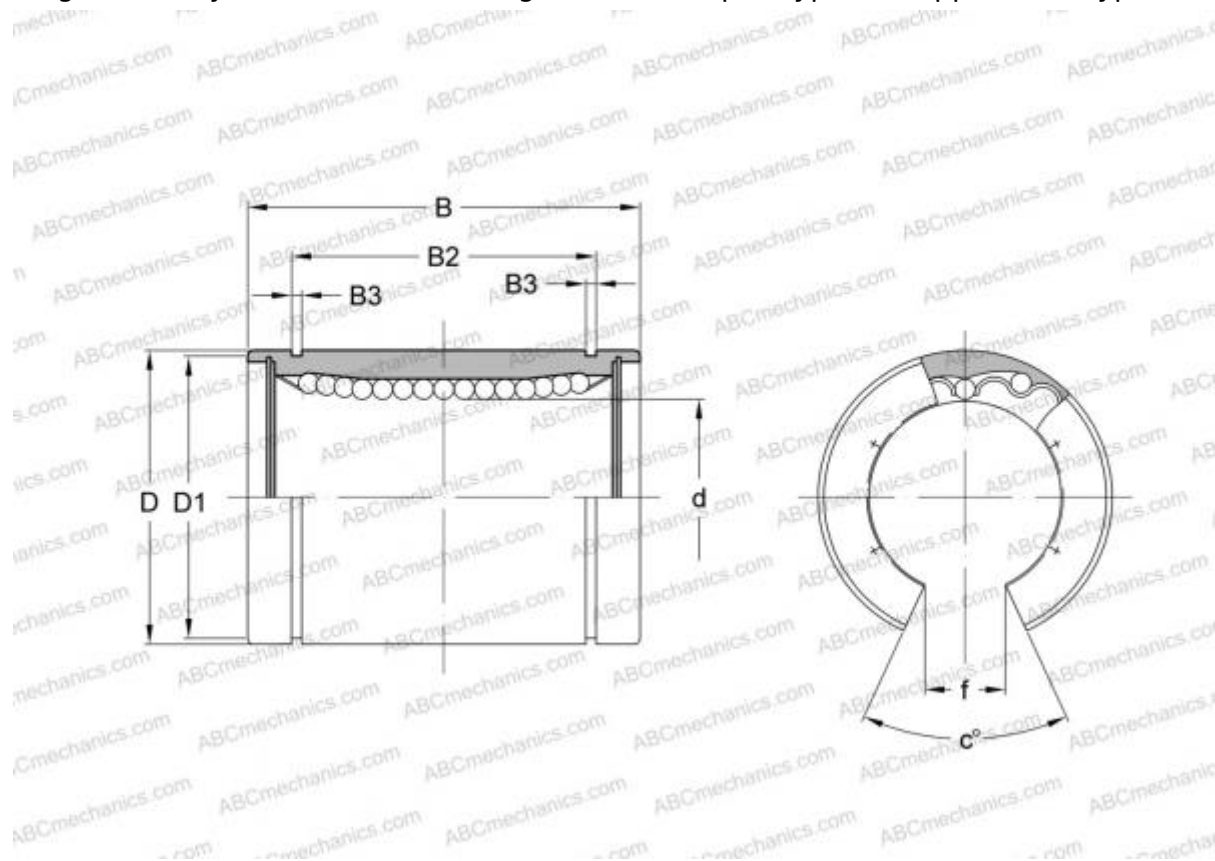


LBD 10 OP IKO

Linear bushing

TYPE: Shaft guidance systems, Linear bushing, Standard, Open type for support rail, Type LBD..OP



Technical specification

DIMENSIONS, MM

d	10,000
D	19,000
B	29,000
f	7,000
c	80

WEIGHT, KG 0,021

MANUFACTURER [IKO](#)

INTERCHANGE

ABC [LBD 10 OP](#)

CALCULATION DATA

Basic dynamic load rating min	0,197 kN
Basic dynamic load rating max	0,226 kN
Basic static load rating min	0,405 kN

CALCULATION DATA

Basic static load rating max	0,573 kN
------------------------------	----------