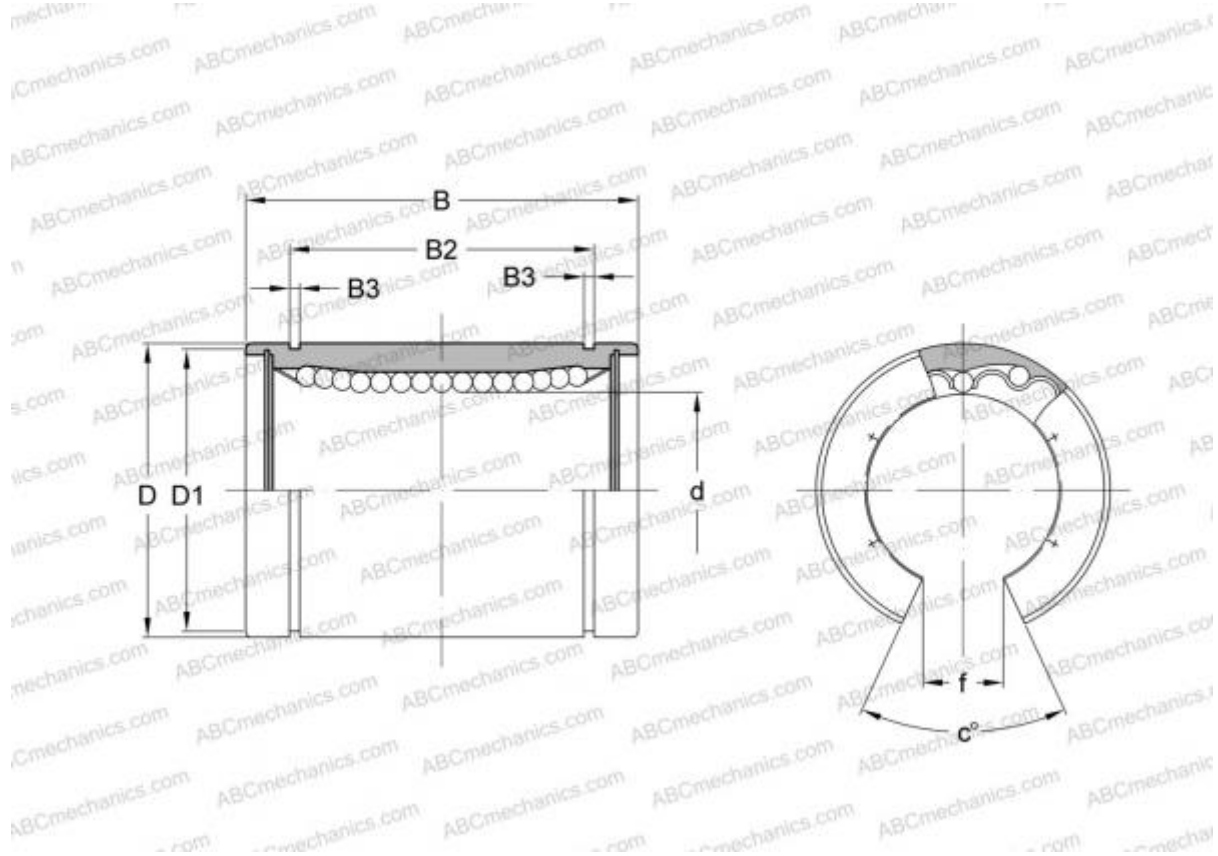


## LBD 16 OP ABC

Linear bushing

TYPE: Shaft guidance systems, Linear bushing, Standard, Open type for support rail, Type LBD..OP



### Technical specification

#### DIMENSIONS, MM

d	16,000
D	28,000
B	37,000
f	11,000
c	80

**WEIGHT, KG** 0,047

**MANUFACTURER** [ABC](#)

#### INTERCHANGE

IKO [LBD 16 OP](#)