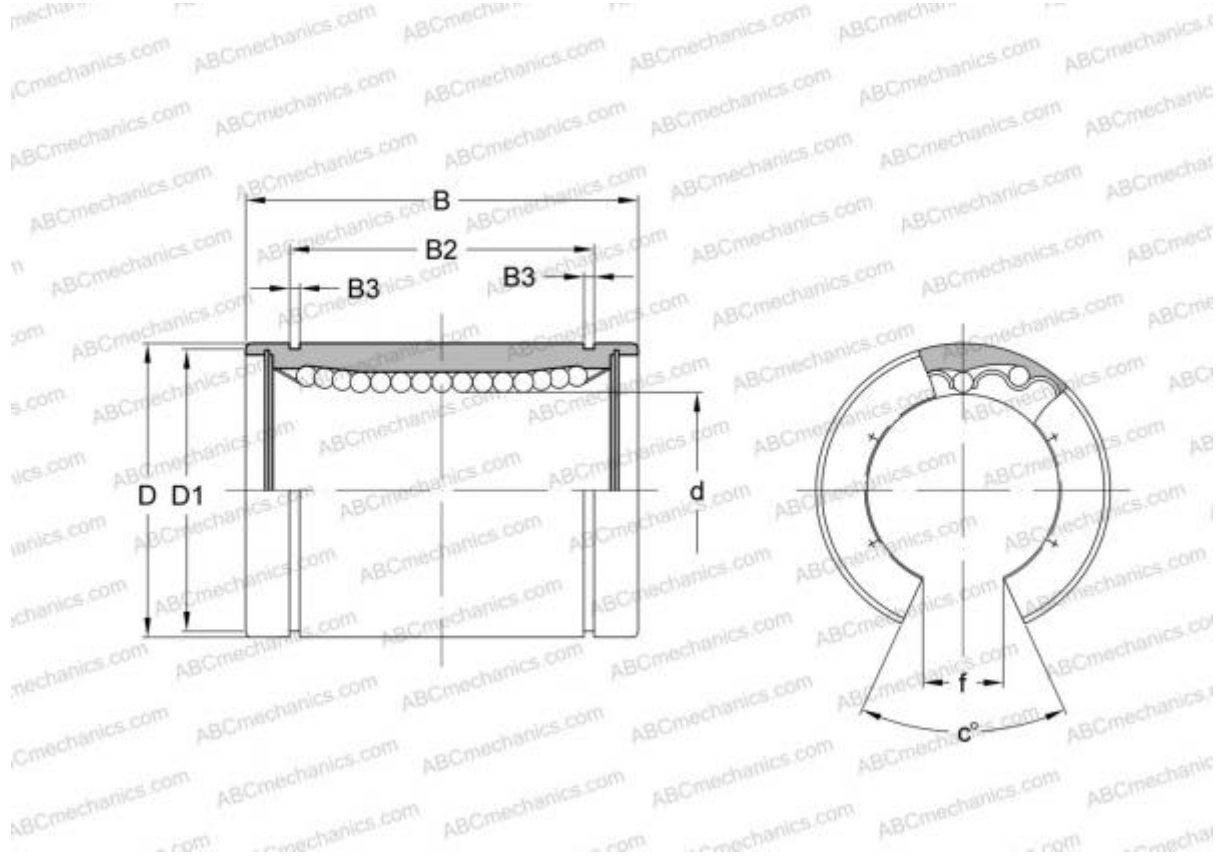


## LBD 16 OP IKO

Linear bushing

TYPE: Shaft guidance systems, Linear bushing, Standard, Open type for support rail, Type LBD..OP



### Technical specification

#### DIMENSIONS, MM

d	16,000
D	28,000
B	37,000
f	11,000
c	80

**WEIGHT, KG** 0,047

**MANUFACTURER** [IKO](#)

#### INTERCHANGE

ABC [LBD 16 OP](#)

#### CALCULATION DATA

Basic dynamic load rating min	0,426 kN
Basic dynamic load rating max	0,489 kN
Basic static load rating min	0,766 kN

#### CALCULATION DATA

Basic static load rating max	1,080 kN
------------------------------	----------