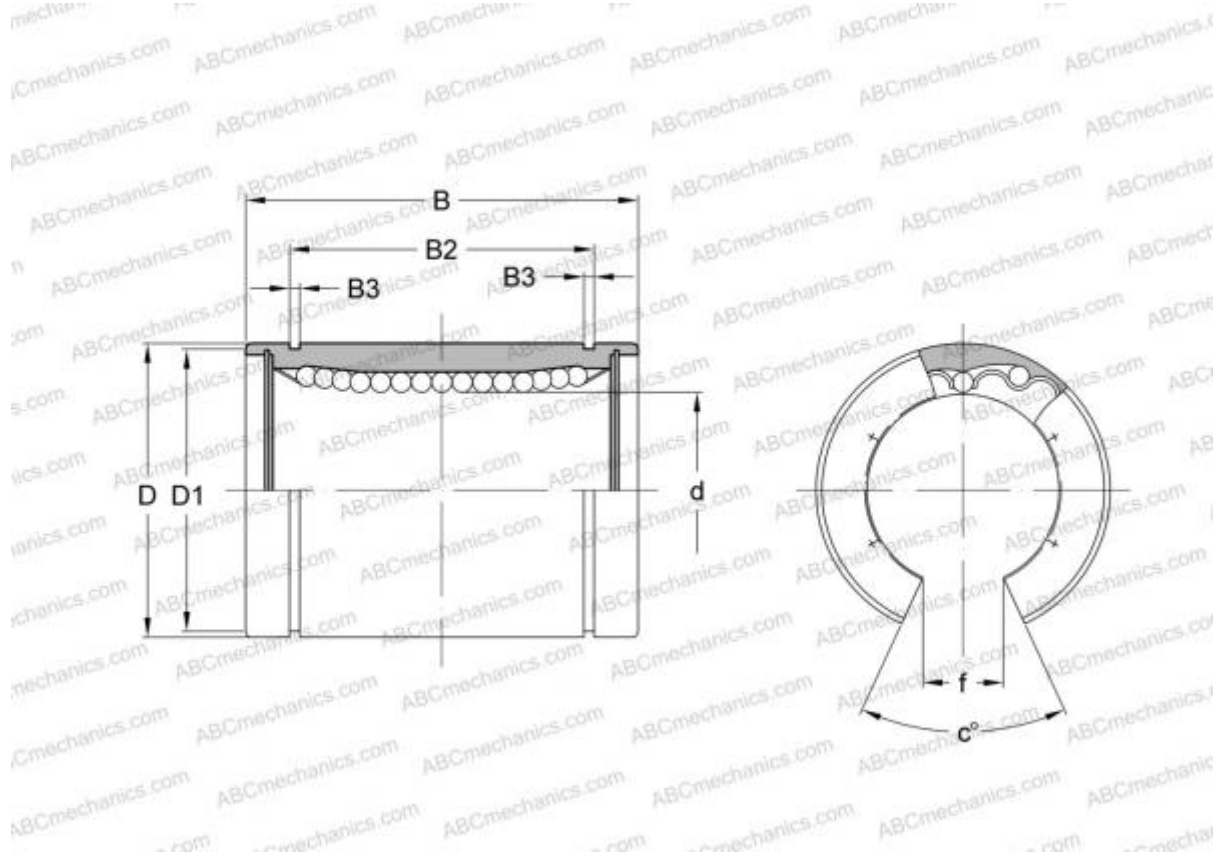


LBD 20 OP ABC

Linear bushing

TYPE: Shaft guidance systems, Linear bushing, Standard, Open type for support rail, Type LBD..OP



Technical specification

DIMENSIONS, MM

d	20,000
D	32,000
B	42,000
f	11,000
c	60

WEIGHT, KG 0,069

MANUFACTURER [ABC](#)

INTERCHANGE

IKO [LBD 20 OP](#)