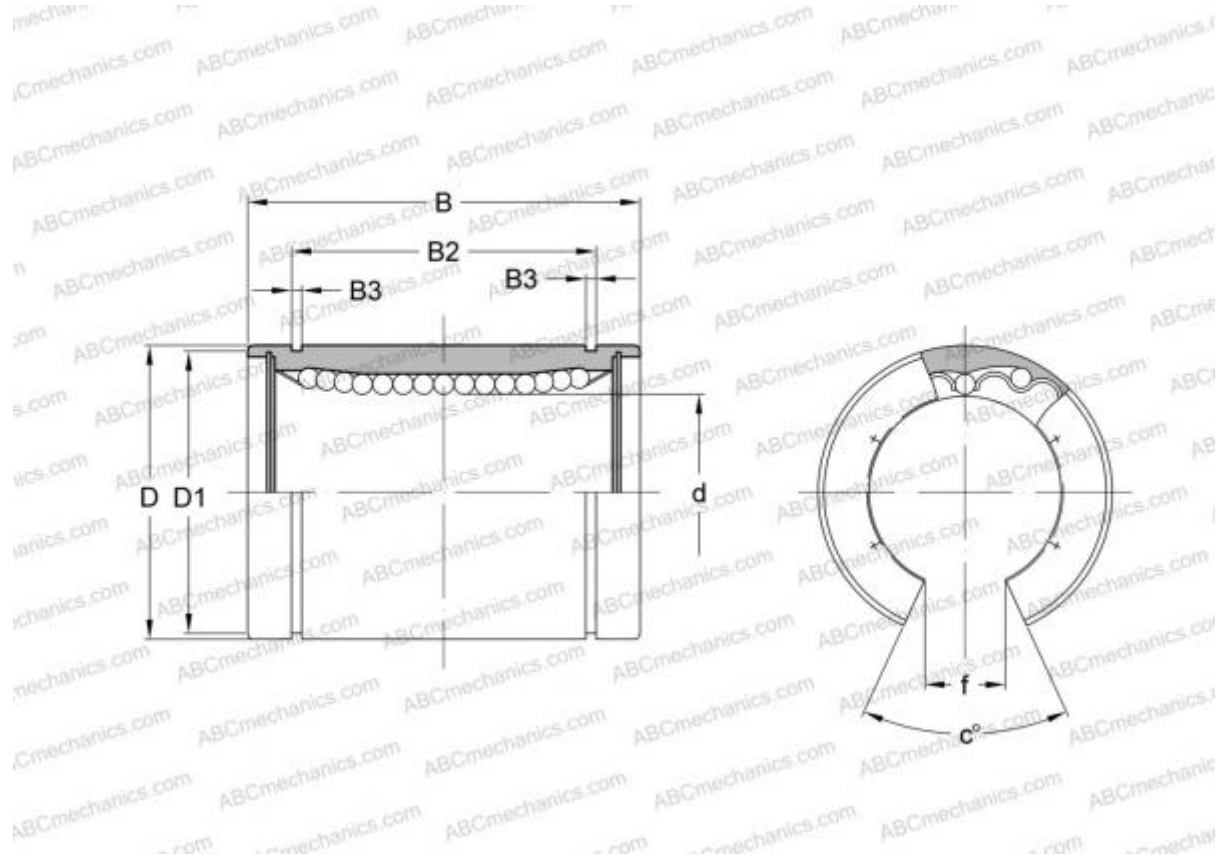


LBD 20 OP IKO

Linear bushing

TYPE: Shaft guidance systems, Linear bushing, Standard, Open type for support rail, Type LBD..OP



Technical specification

DIMENSIONS, MM

d	20,000
D	32,000
B	42,000
f	11,000
c	60

WEIGHT, KG 0,069

MANUFACTURER [IKO](#)

INTERCHANGE

ABC [LBD 20 OP](#)

CALCULATION DATA

Basic static load rating max 1,680 kN

CALCULATION DATA

Basic dynamic load rating min	0,617 kN
Basic dynamic load rating max	0,734 kN
Basic static load rating min	1,150 kN