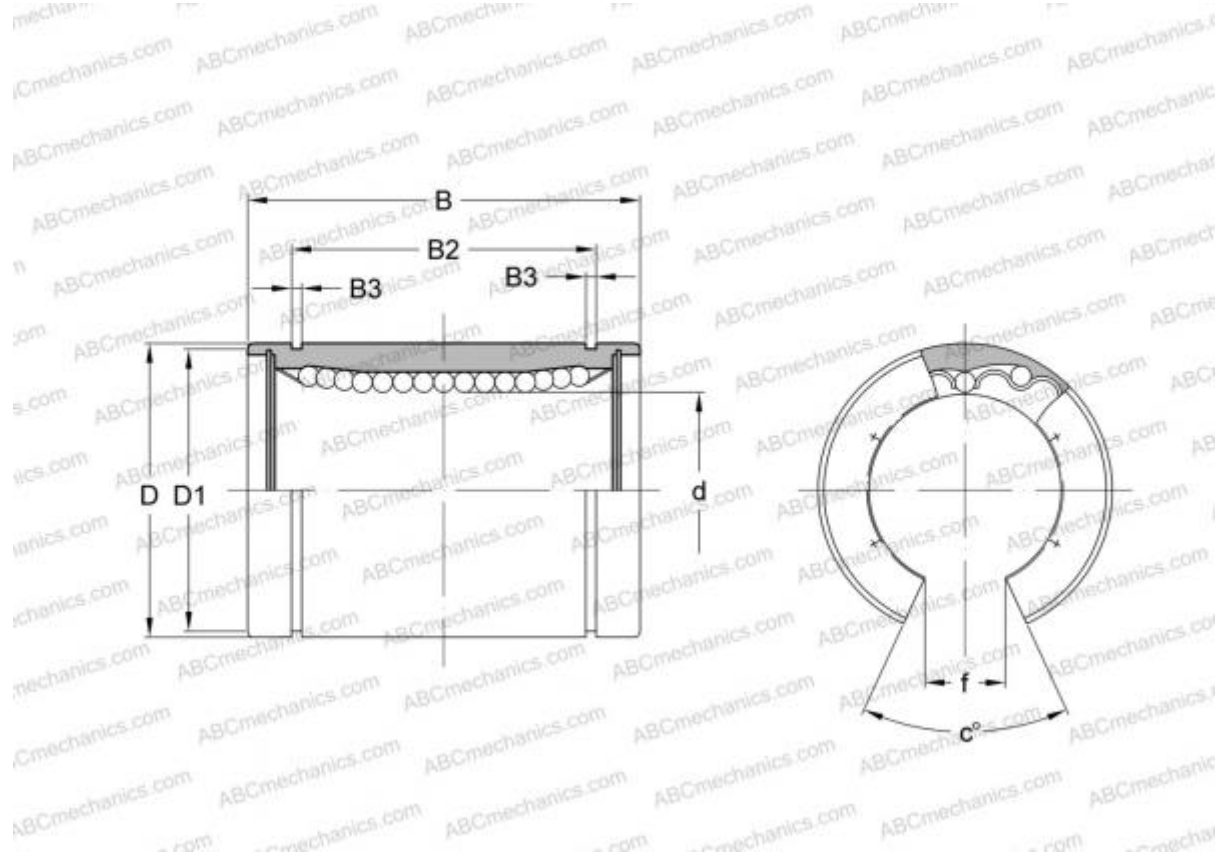


## LBD 25 OP IKO

Linear bushing

TYPE: Shaft guidance systems, Linear bushing, Standard, Open type for support rail, Type LBD..OP



### Technical specification

#### DIMENSIONS, MM

d	25,000
D	40,000
B	59,000
f	12,000
c	50

**WEIGHT, KG** 0,142

**MANUFACTURER** [IKO](#)

#### INTERCHANGE

ABC [LBD 25 OP](#)

#### CALCULATION DATA

Basic static load rating max	2,960 kN
------------------------------	----------

#### CALCULATION DATA

Basic dynamic load rating min	1,070 kN
Basic dynamic load rating max	1,270 kN
Basic static load rating min	2,020 kN