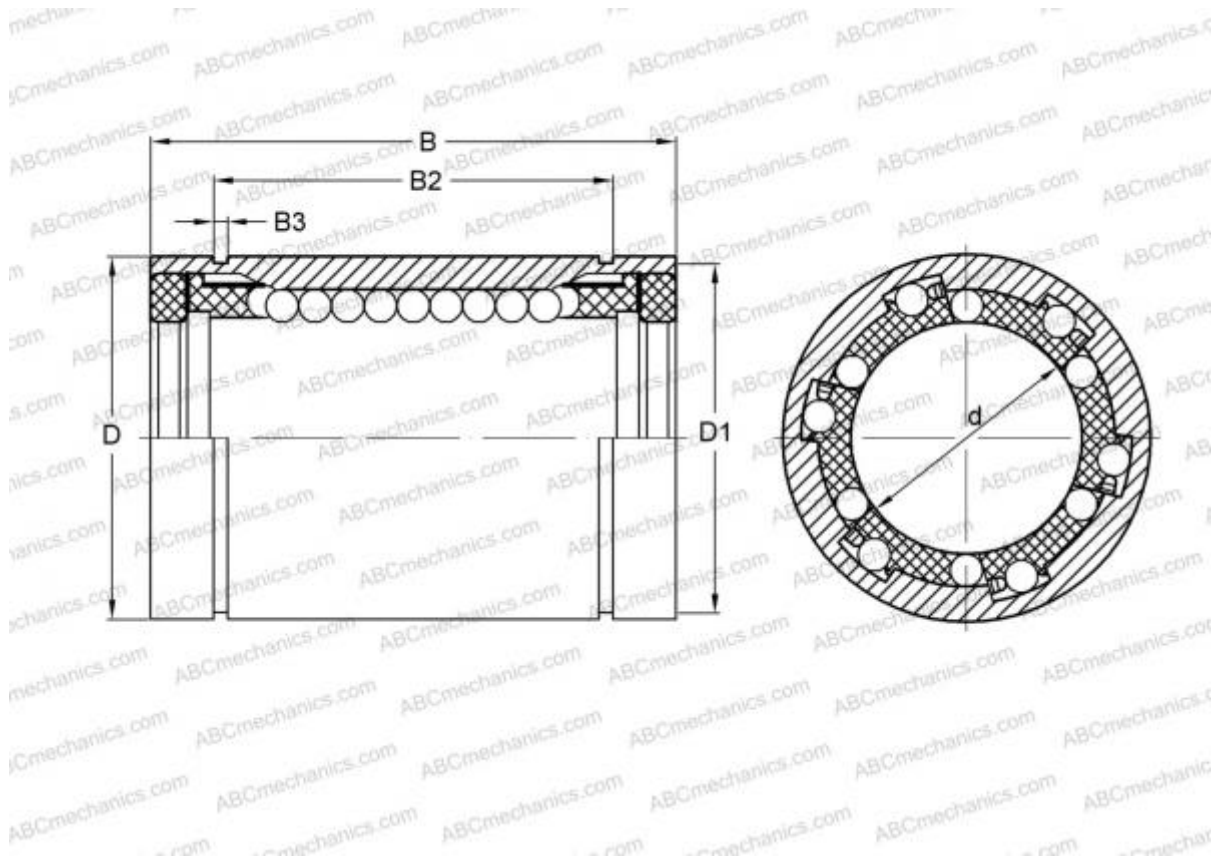


LBD 10 UU ABC

Linear bushing

TYPE: Shaft guidance systems, Linear bushing, Standard, Close type, Type LBD..UU, sealed on both sides



Technical specification

DIMENSIONS, MM

d	10,000
D	19,000
B	29,000

WEIGHT, KG 0,026

MANUFACTURER [ABC](#)

INTERCHANGE

IKO	LBD 10 UU
-----	---------------------------