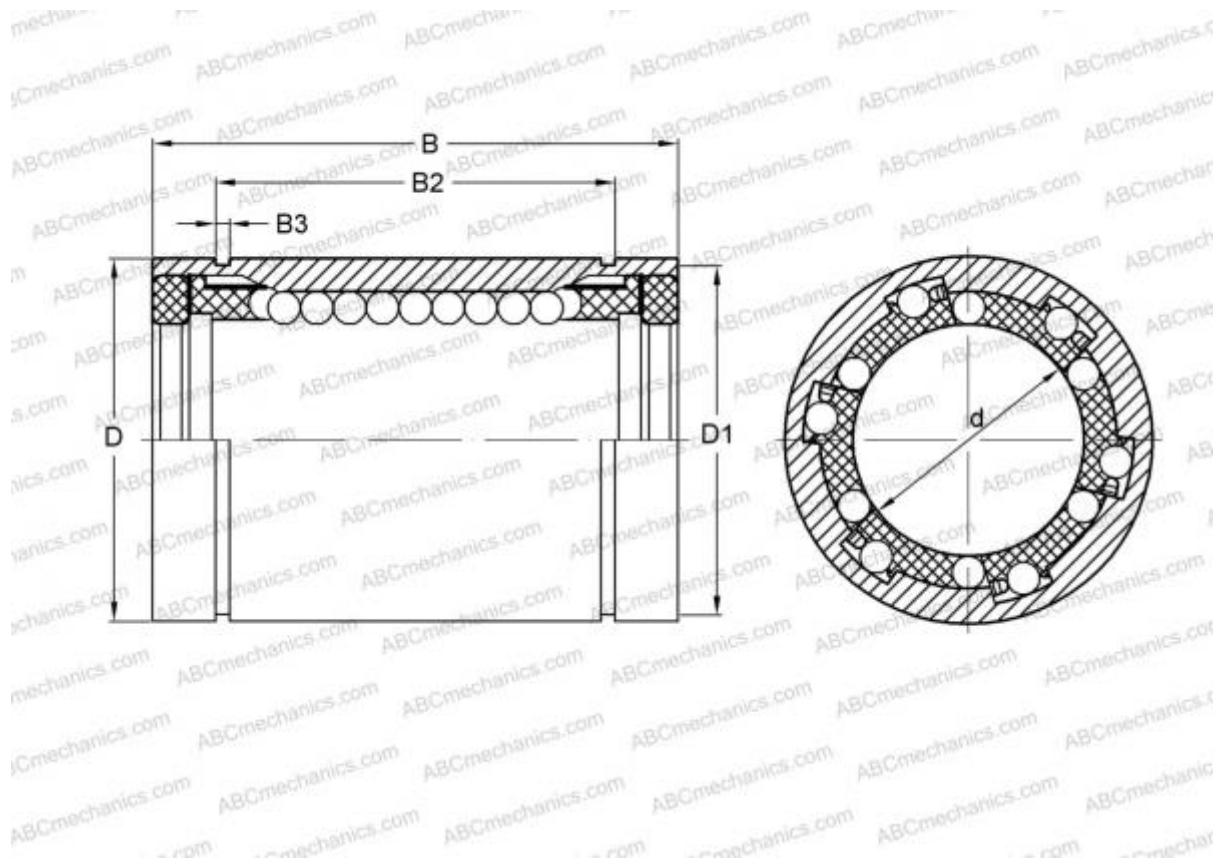


## LBD 10 UU IKO

Linear bushing

TYPE: Shaft guidance systems, Linear bushing, Standard, Close type, Type LBD..UU, sealed on both sides



### Technical specification

#### DIMENSIONS, MM

d	10,000
D	19,000
B	29,000

**WEIGHT, KG** 0,026

**MANUFACTURER** [IKO](#)

#### INTERCHANGE

ABC	<a href="#">LBD 10 UU</a>
-----	---------------------------

#### CALCULATION DATA

Basic dynamic load rating min	0,197 kN
Basic dynamic load rating max	0,226 kN
Basic static load rating min	0,405 kN
Basic static load rating max	0,573 kN