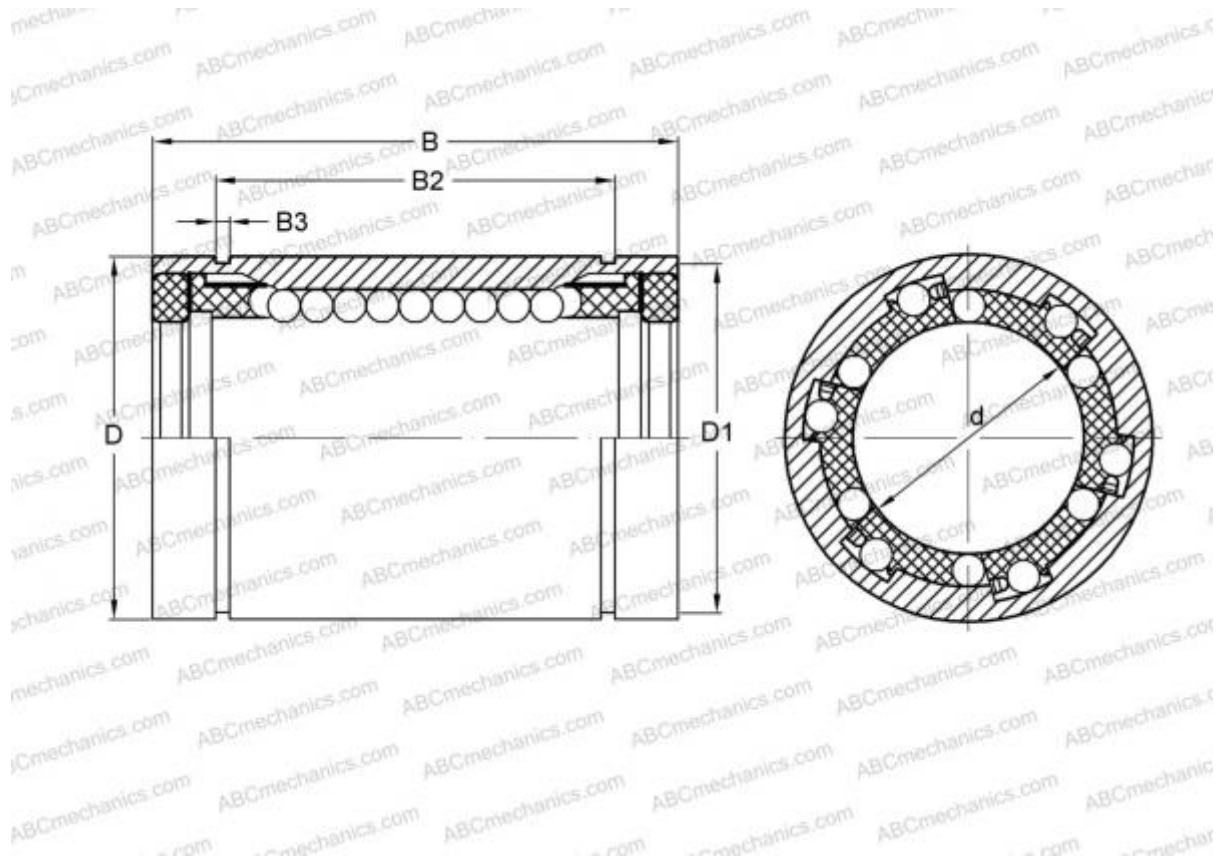


LBD 13 UU IKO

Linear bushing

TYPE: Shaft guidance systems, Linear bushing, Standard, Close type, Type LBD..UU, sealed on both sides



Technical specification

DIMENSIONS, MM

| | |
|---|--------|
| d | 13,000 |
| D | 23,000 |
| B | 32,000 |

WEIGHT, KG 0,042

MANUFACTURER [IKO](#)

INTERCHANGE

| | |
|-----|---------------------------|
| ABC | LBD 13 UU |
|-----|---------------------------|

CALCULATION DATA

| | |
|-------------------------------|----------|
| Basic dynamic load rating min | 0,292 kN |
| Basic dynamic load rating max | 0,336 kN |
| Basic static load rating min | 0,578 kN |
| Basic static load rating max | 0,818 kN |