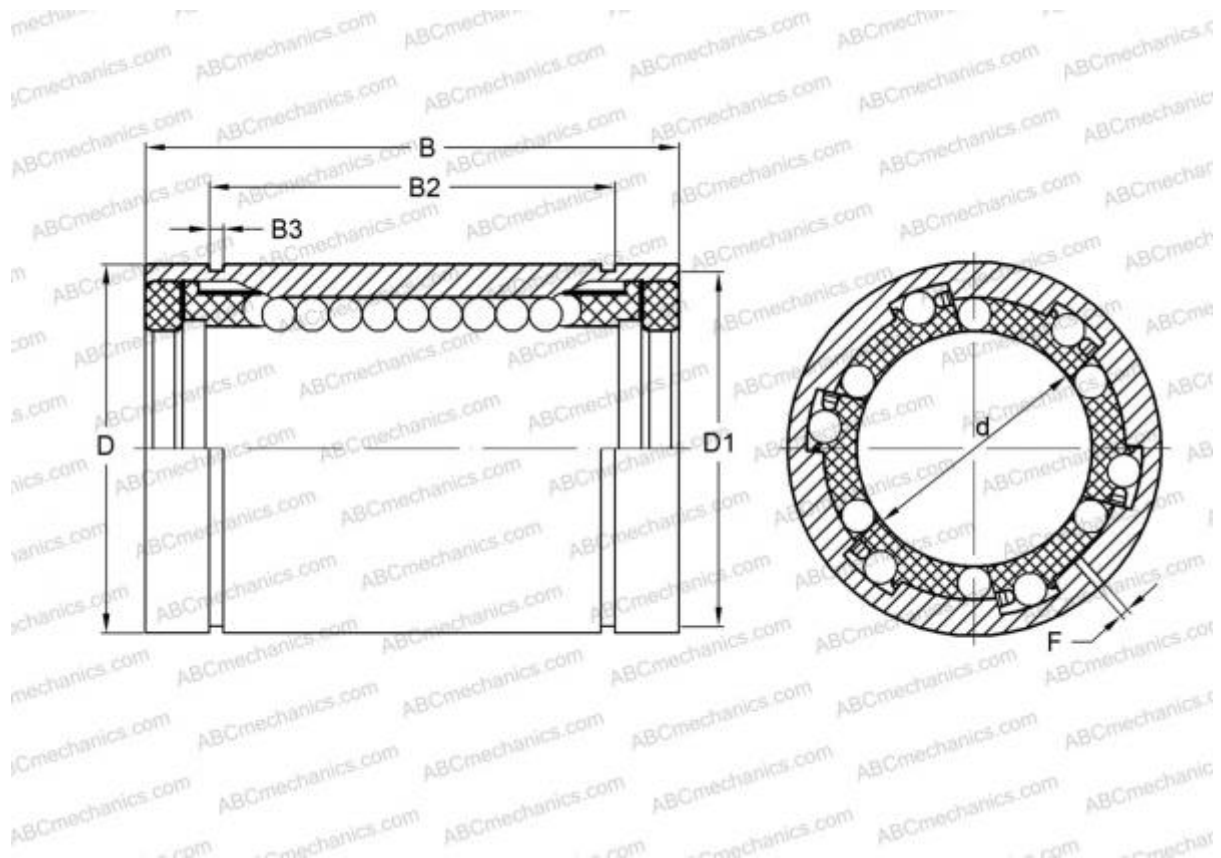


LBD 13 UU AJ IKO

Linear bushing

TYPE: Shaft guidance systems, Linear bushing, Standard, Adjustable type, Type LBD..UU AJ, sealed on both sides



Technical specification

DIMENSIONS, MM

d	13,000
D	23,000
B	32,000
f	1,500

WEIGHT, KG 0,041

MANUFACTURER [IKO](#)

INTERCHANGE

ABC	LBD 13 UU AJ
-----	------------------------------

CALCULATION DATA

Basic dynamic load rating min	0,292 kN
Basic dynamic load rating max	0,336 kN
Basic static load rating min	0,578 kN
Basic static load rating max	0,818 kN