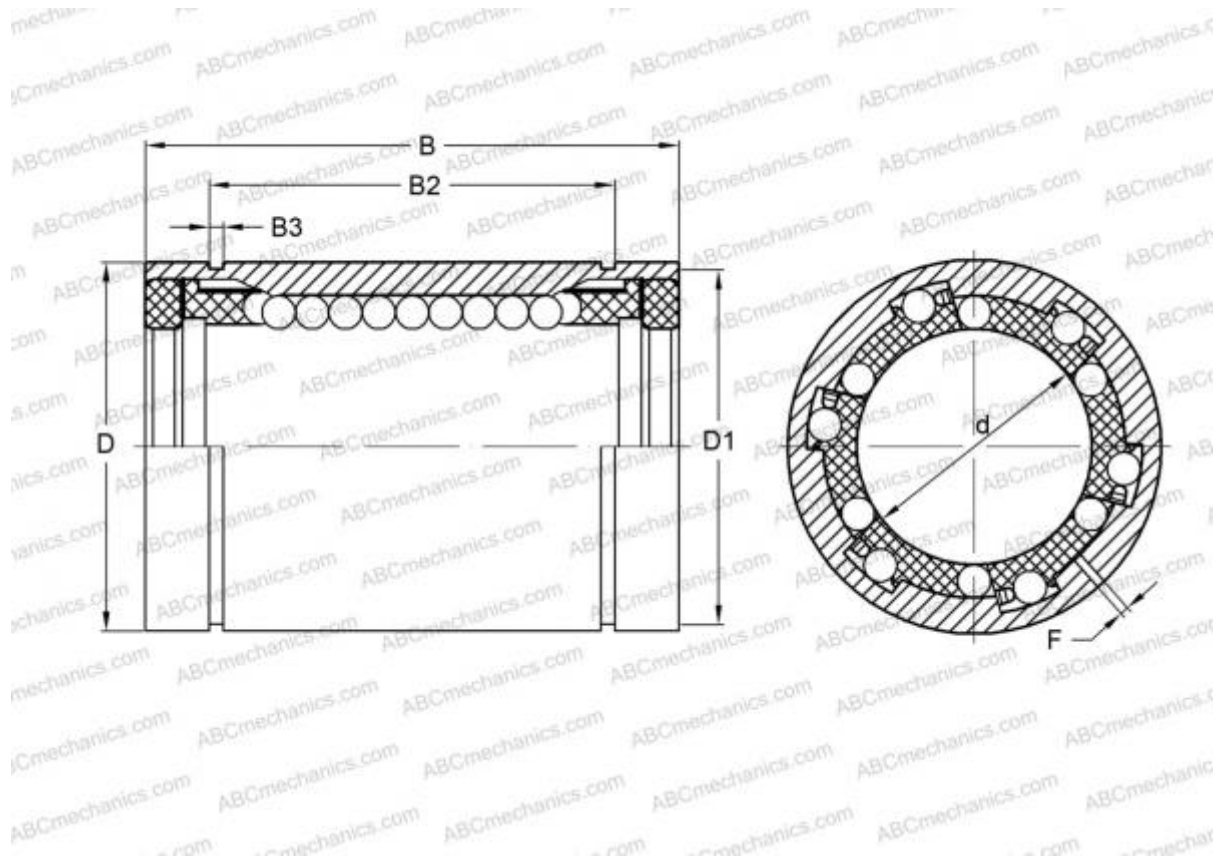


## LBD 25 UU AJ ABC

Linear bushing

TYPE: Shaft guidance systems, Linear bushing, Standard, Adjustable type, Type LBD..UU AJ, sealed on both sides



### Technical specification

#### DIMENSIONS, MM

d	25,000
D	40,000
B	59,000
f	2,000

**WEIGHT, KG** 0,159

**MANUFACTURER** [ABC](#)

#### INTERCHANGE

IKO	<a href="#">LBD 25 UU AJ</a>
-----	------------------------------