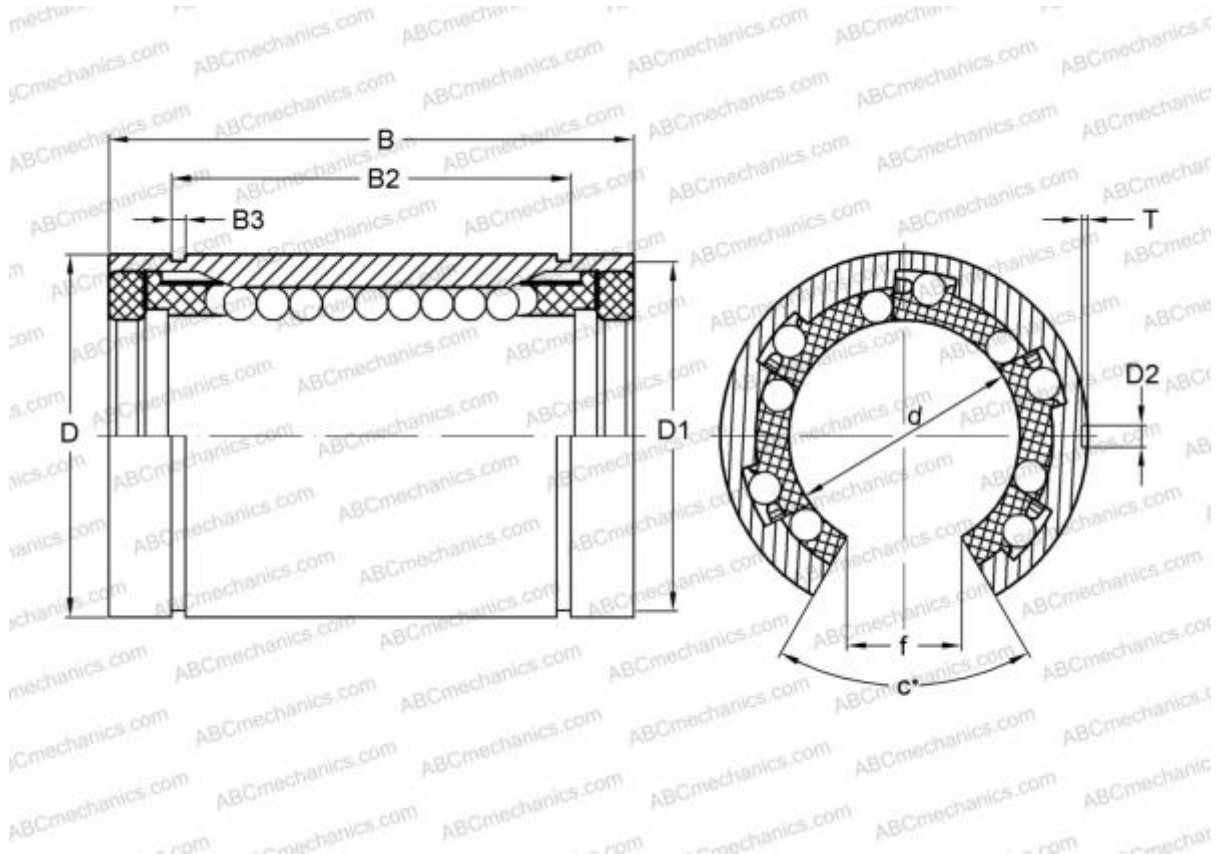


LBD 10 UU OP IKO

Linear bushing

TYPE: Shaft guidance systems, Linear bushing, Standard, Open type for support rail, Type LBD..UU OP, sealed on both sides



Technical specification

DIMENSIONS, MM

| | |
|---|--------|
| d | 10,000 |
| D | 19,000 |
| B | 29,000 |
| f | 7,000 |
| c | 80 |

WEIGHT, KG 0,021

MANUFACTURER [IKO](#)

INTERCHANGE

ABC [LBD 10 UU OP](#)

CALCULATION DATA

Basic static load rating max 0,573 kN

CALCULATION DATA

| | |
|-------------------------------|----------|
| Basic dynamic load rating min | 0,197 kN |
| Basic dynamic load rating max | 0,226 kN |
| Basic static load rating min | 0,405 kN |