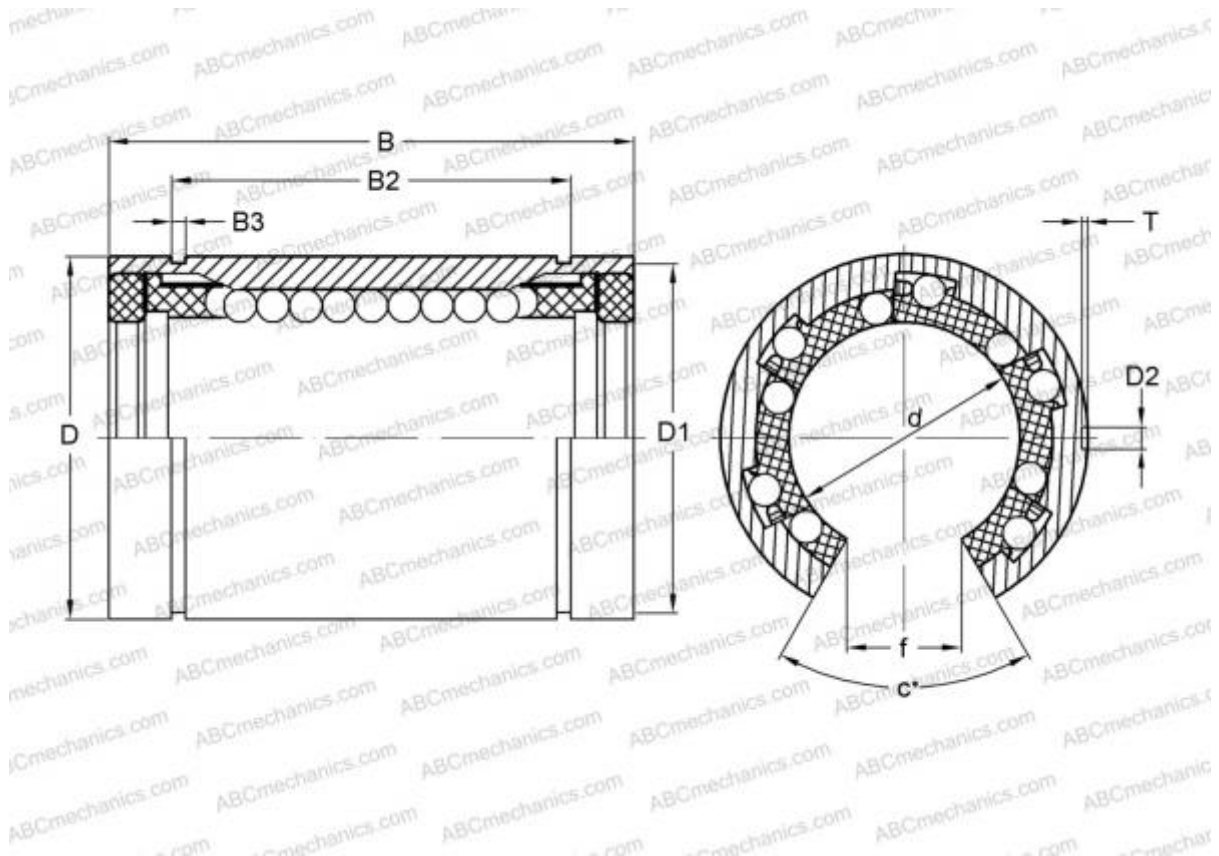


## LBD 20 UU OP IKO

Linear bushing

TYPE: Shaft guidance systems, Linear bushing, Standard, Open type for support rail, Type LBD..UU OP, sealed on both sides



### Technical specification

#### DIMENSIONS, MM

d	20,000
D	32,000
B	42,000
f	11,000
c	60

**WEIGHT, KG** 0,070

**MANUFACTURER** [IKO](#)

#### INTERCHANGE

ABC [LBD 20 UU OP](#)

#### CALCULATION DATA

Basic static load rating max 1,680 kN

#### CALCULATION DATA

Basic dynamic load rating min	0,617 kN
Basic dynamic load rating max	0,734 kN
Basic static load rating min	1,150 kN