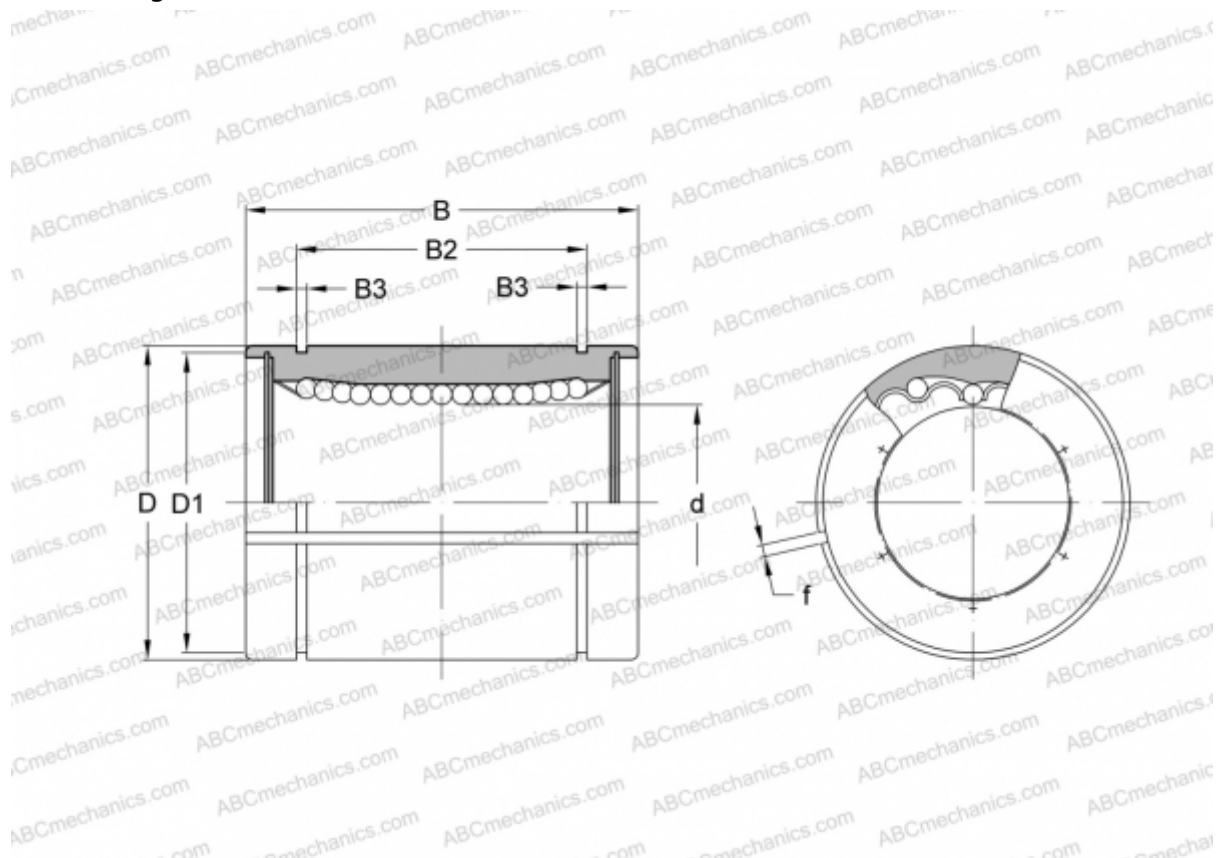


## SM 80-AJ NB

Linear bushing

TYPE: Shaft guidance systems, Linear bushing, Standard, Adjustable type, Type SM..AJ, Asian standard, Steel cage (NB)



### Technical specification

#### DIMENSIONS, MM

d	80,000
D	120,000
B	140,000
D1	116,000
B2	105,500
B3	4,150
f	3,000

**WEIGHT, KG** 4,400

**MANUFACTURER** [NB](#)