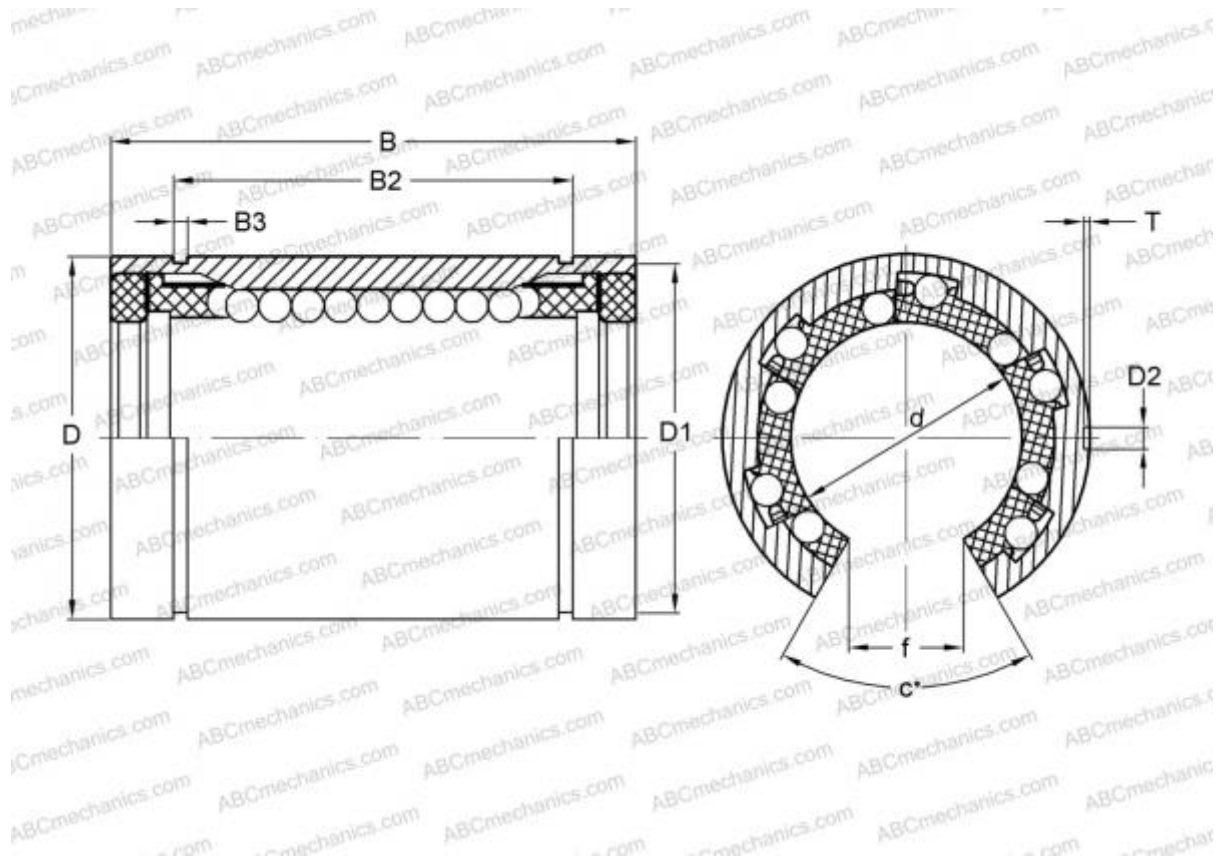


LBD 50 UU OP IKO

Linear bushing

TYPE: Shaft guidance systems, Linear bushing, Standard, Open type for support rail, Type LBD..UU OP, sealed on both sides



Technical specification

DIMENSIONS, MM

d	50,000
D	80,000
B	100,000
f	25,000
c	50

WEIGHT, KG 1,220

MANUFACTURER [IKO](#)

INTERCHANGE

ABC [LBD 50 UU OP](#)

CALCULATION DATA

Basic static load rating max 9,120 kN

CALCULATION DATA

Basic dynamic load rating min	3,940 kN
Basic dynamic load rating max	4,180 kN
Basic static load rating min	7,130 kN