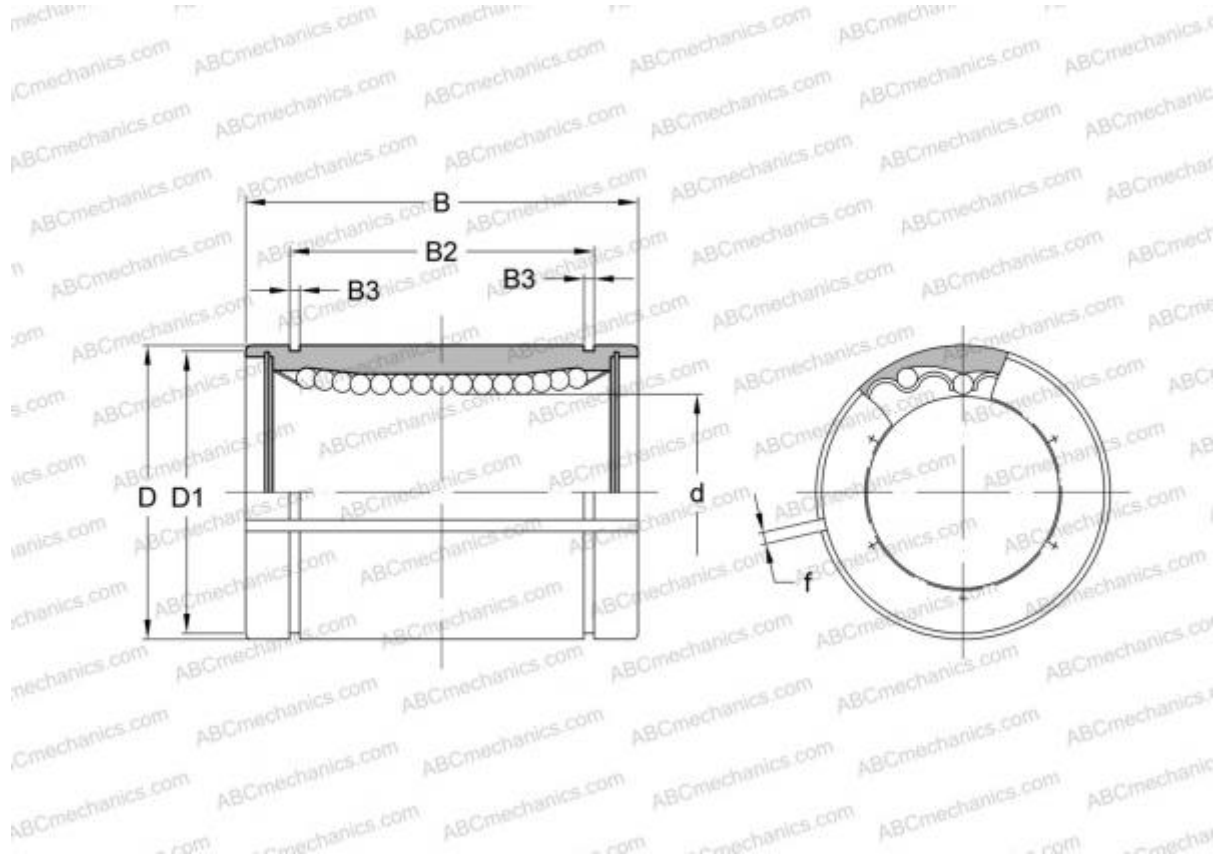


## LM 101929 N AJ IKO

Linear bushing

TYPE: Shaft guidance systems, Linear bushing, Standard, Adjustable type, Type LM..(N) AJ (IKO)



### Technical specification

#### DIMENSIONS, MM

d	10,000
D	19,000
B	29,000
f	1,000

**WEIGHT, KG** 0,029

**MANUFACTURER** [IKO](#)

#### CALCULATION DATA

Basic dynamic load rating min	0,179 kN
Basic dynamic load rating max	0,206 kN
Basic static load rating min	0,354 kN
Basic static load rating max	0,501 kN