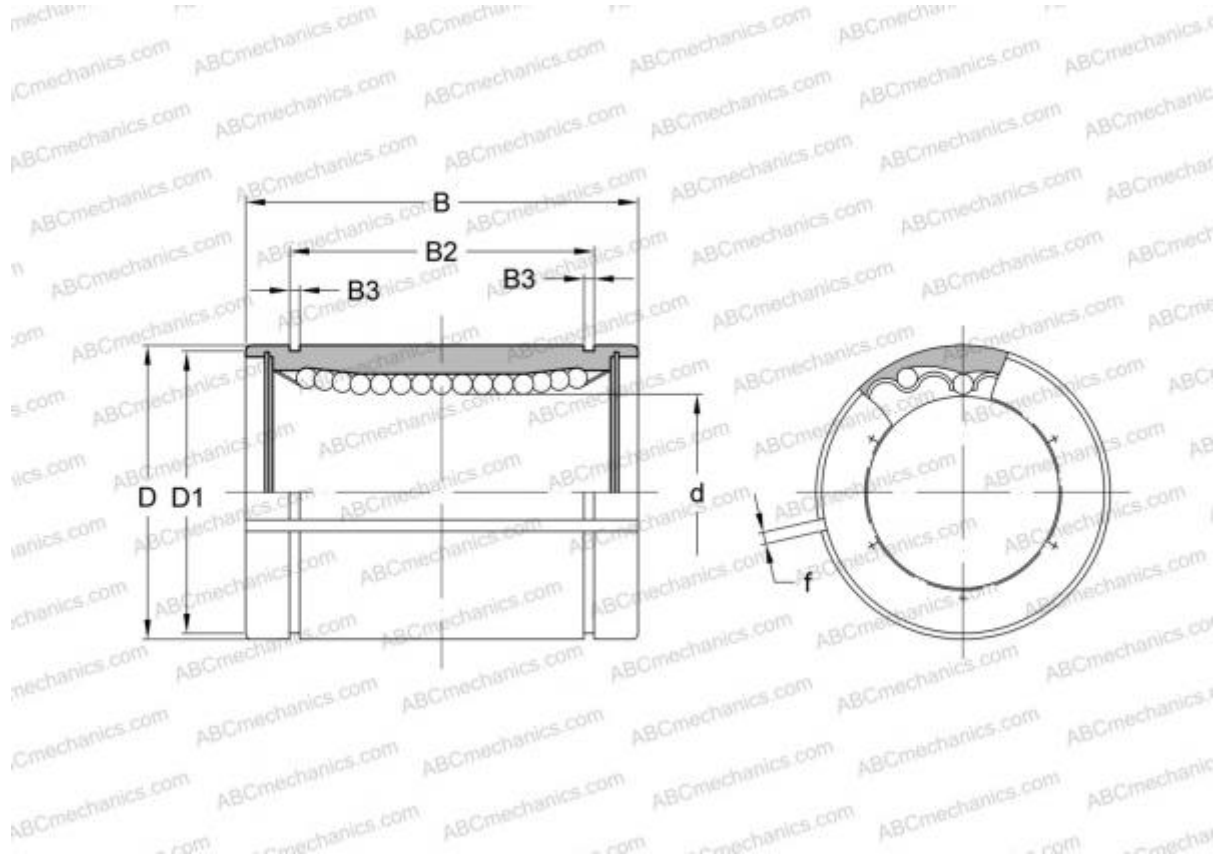


LM 120180200 AJ IKO

Linear bushing

TYPE: Shaft guidance systems, Linear bushing, Standard, Adjustable type, Type LM..(N) AJ (IKO)



Technical specification

DIMENSIONS, MM

d	120,000
D	180,000
B	200,000
f	4,000

WEIGHT, KG 14,900

MANUFACTURER [IKO](#)

CALCULATION DATA

Basic dynamic load rating min	25,800 kN
Basic dynamic load rating max	25,500 kN
Basic static load rating min	44,300 kN
Basic static load rating max	49,400 kN