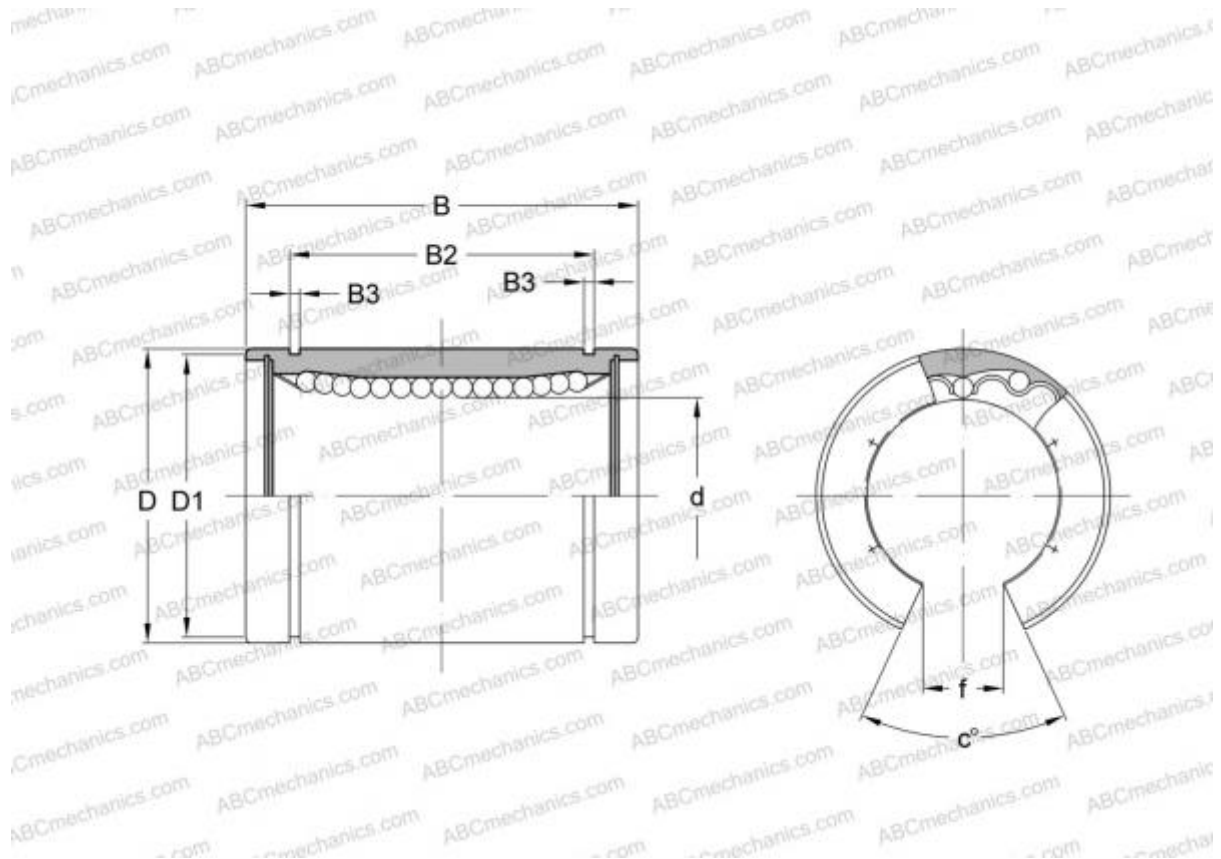


LM 162837 N OP IKO

Linear bushing

TYPE: Shaft guidance systems, Linear bushing, Standard, Open type for support rail, Type LM..(N) OP (IKO)



Technical specification

DIMENSIONS, MM

d	16,000
D	28,000
B	37,000
f	11,000
c	80

WEIGHT, KG 0,052

MANUFACTURER [IKO](#)

CALCULATION DATA

Basic dynamic load rating min	0,426 kN
Basic dynamic load rating max	0,489 kN
Basic static load rating min	0,766 kN
Basic static load rating max	1,080 kN