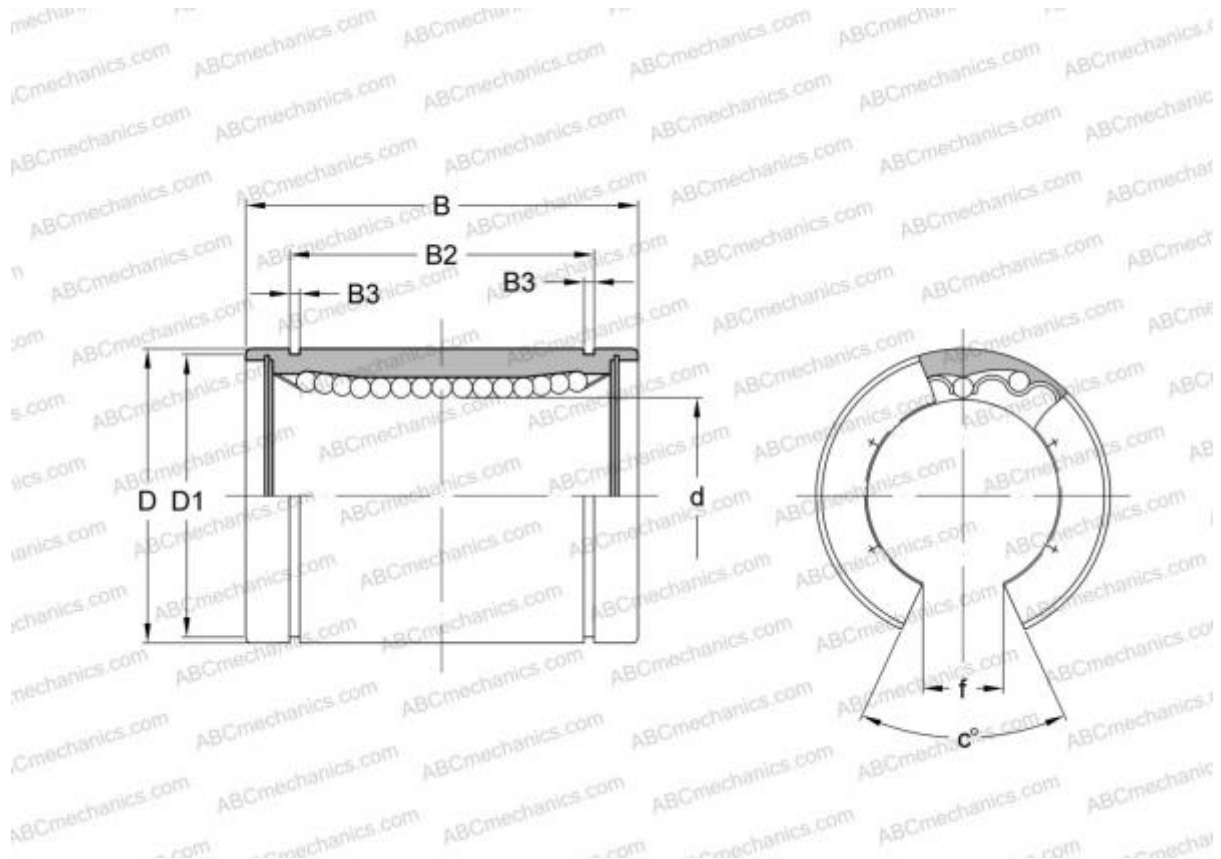


LM 304564 N OP IKO

Linear bushing

TYPE: Shaft guidance systems, Linear bushing, Standard, Open type for support rail, Type LM..(N) OP (IKO)



Technical specification

DIMENSIONS, MM

| | |
|---|--------|
| d | 30,000 |
| D | 45,000 |
| B | 64,000 |
| f | 15,000 |
| c | 50 |

WEIGHT, KG 0,210

MANUFACTURER [IKO](#)

CALCULATION DATA

| | |
|-------------------------------|----------|
| Basic dynamic load rating min | 1,350 kN |
| Basic dynamic load rating max | 1,430 kN |
| Basic static load rating min | 2,500 kN |
| Basic static load rating max | 3,200 kN |