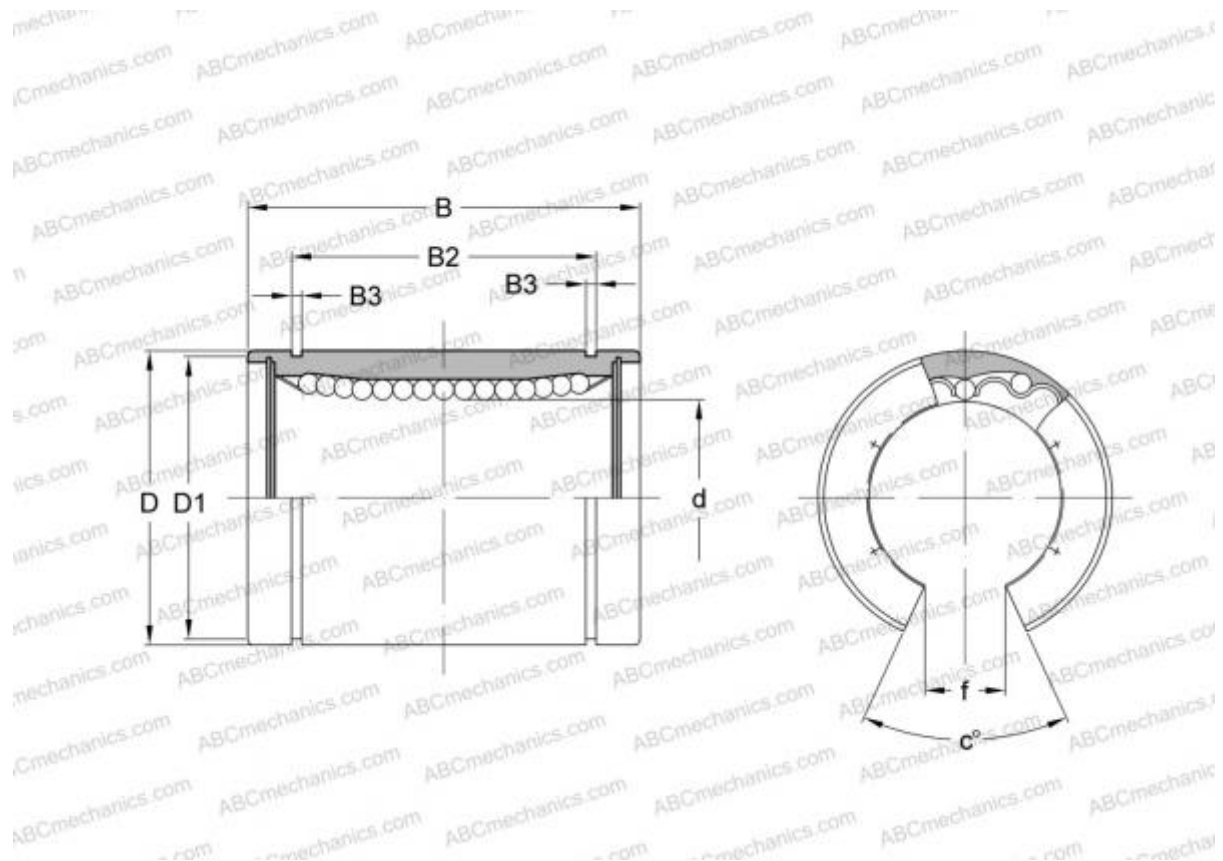


LM 150210240 OP IKO

Linear bushing

TYPE: Shaft guidance systems, Linear bushing, Standard, Open type for support rail, Type LM..(N) OP (IKO)



Technical specification

DIMENSIONS, MM

d	150,000
D	210,000
B	240,000
f	105,000
c	80

WEIGHT, KG 15,700

MANUFACTURER [IKO](#)

CALCULATION DATA

Basic dynamic load rating min	35,600 kN
Basic dynamic load rating max	35,100 kN
Basic static load rating min	61,200 kN
Basic static load rating max	68,200 kN