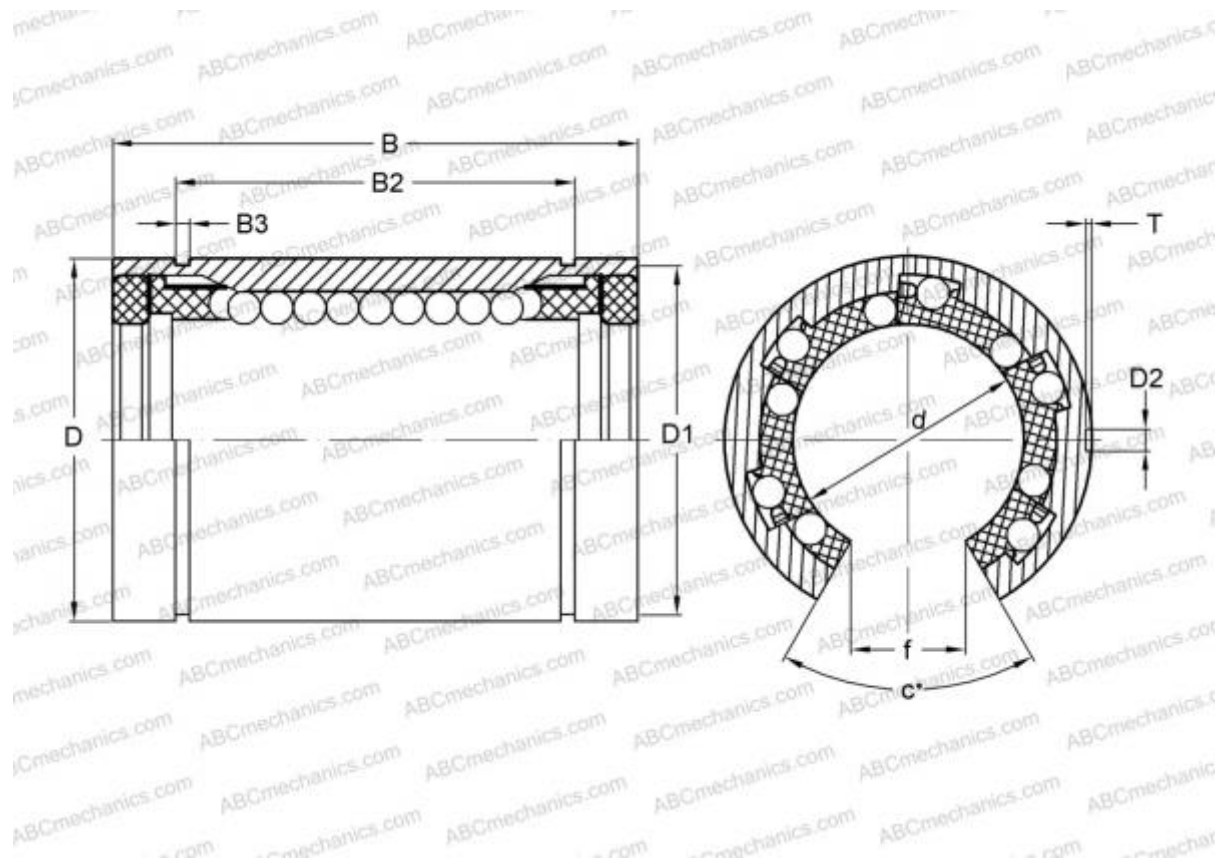


LM 5080100 N UU OP IKO

Linear bushing

TYPE: Shaft guidance systems, Linear bushing, Standard, Open type for support rail, Type LM..(N) UU OP, sealed on both sides (IKO)



Technical specification

DIMENSIONS, MM

d	50,000
D	80,000
B	100,000
f	25,000
c	50

WEIGHT, KG 1,340

MANUFACTURER [IKO](#)

CALCULATION DATA

Basic dynamic load rating min	3,940 kN
Basic dynamic load rating max	4,180 kN
Basic static load rating min	7,130 kN
Basic static load rating max	9,120 kN