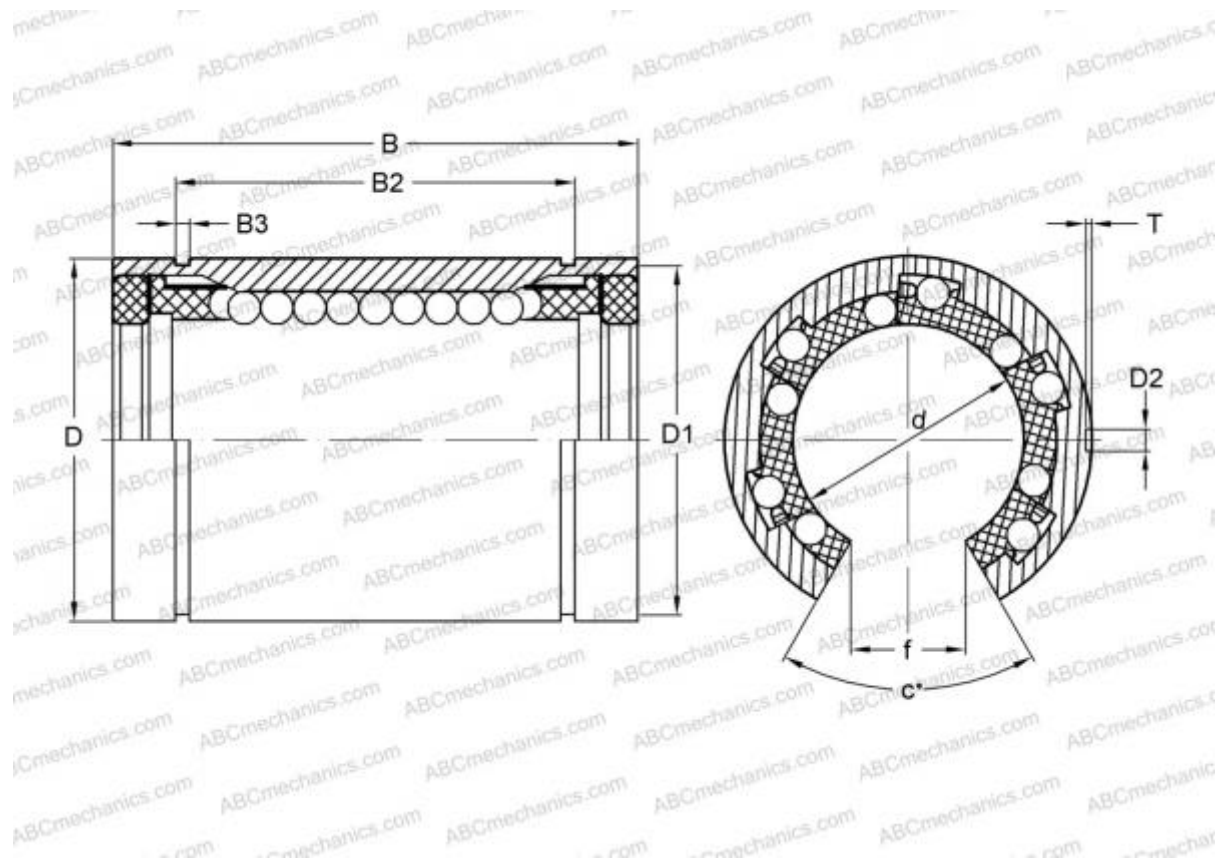


LM 120180200 UU OP IKO

Linear bushing

TYPE: Shaft guidance systems, Linear bushing, Standard, Open type for support rail, Type LM..(N) UU OP, sealed on both sides (IKO)



Technical specification

DIMENSIONS, MM

d	120,000
D	180,000
B	200,000
f	85,000
c	80

WEIGHT, KG 11,400

MANUFACTURER [IKO](#)

CALCULATION DATA

Basic dynamic load rating min	25,800 kN
Basic dynamic load rating max	25,500 kN
Basic static load rating min	44,300 kN
Basic static load rating max	49,400 kN