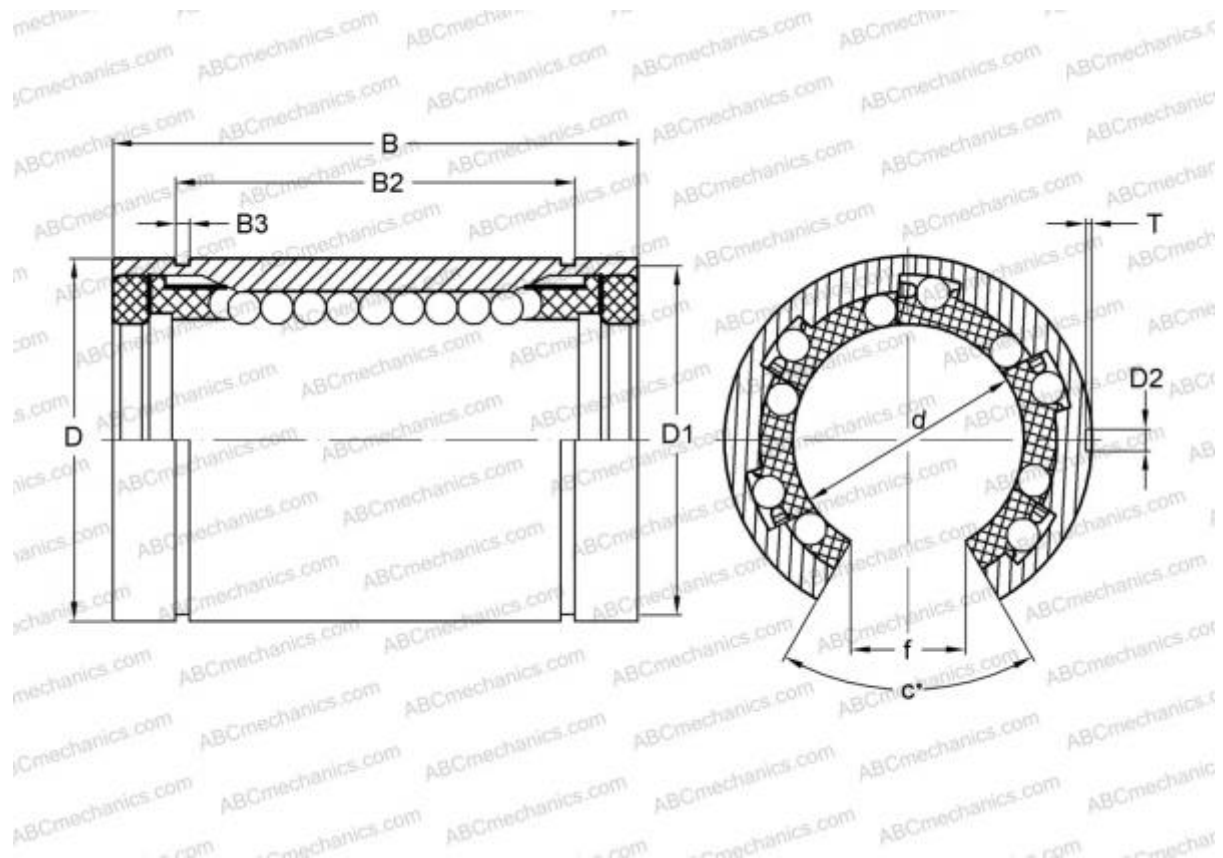


## LM 150210240 UU OP IKO

Linear bushing

TYPE: Shaft guidance systems, Linear bushing, Standard, Open type for support rail, Type LM..(N) UU OP, sealed on both sides (IKO)



### Technical specification

#### DIMENSIONS, MM

d	150,000
D	210,000
B	240,000
f	105,000
c	80

**WEIGHT, KG** 15,400

**MANUFACTURER** [IKO](#)

#### CALCULATION DATA

Basic dynamic load rating min	35,600 kN
Basic dynamic load rating max	35,100 kN
Basic static load rating min	61,200 kN
Basic static load rating max	68,200 kN