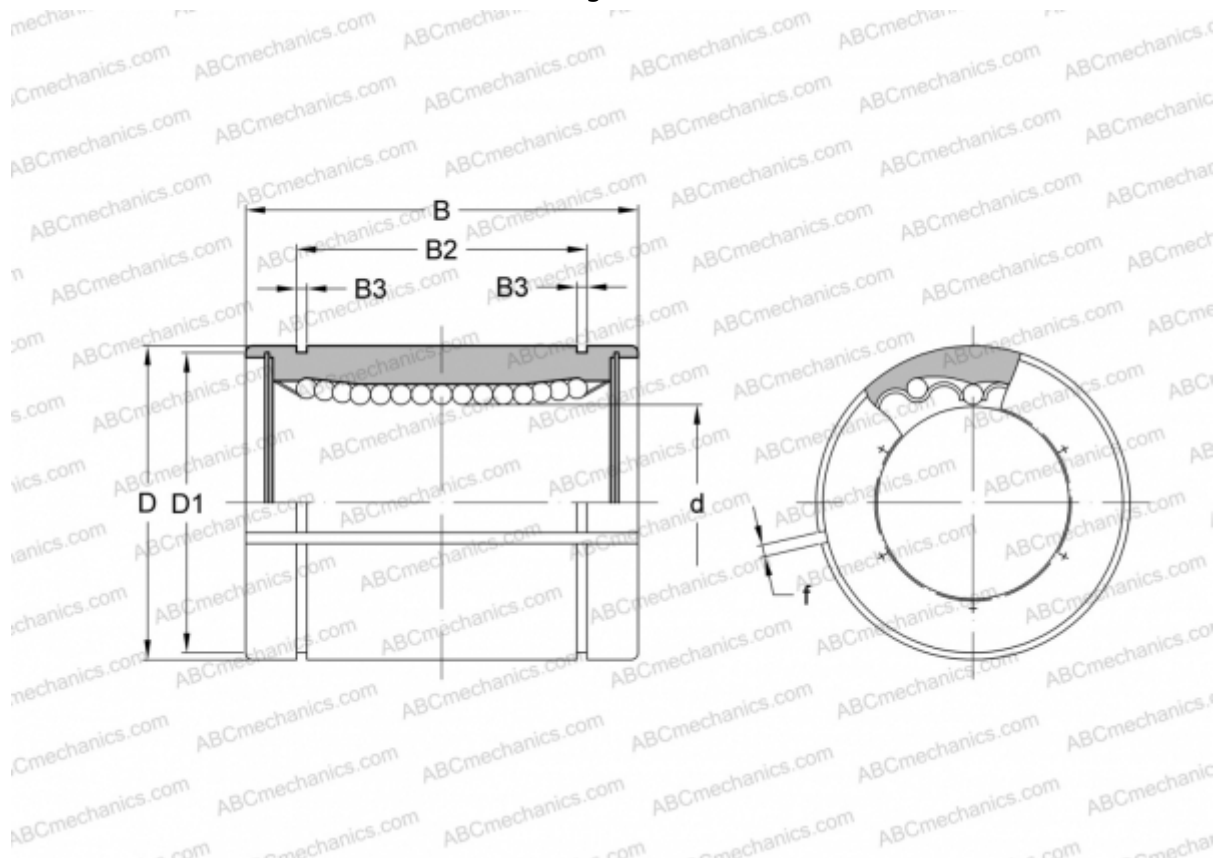


## SMS 25-AJ NB

Linear bushing

TYPE: Shaft guidance systems, Linear bushing, Standard, Adjustable type, Type SM..AJ, Asian standard, Corrosion resistance, Stainless steel cage (NB)



### Technical specification

#### DIMENSIONS, MM

d	25,000
D	40,000
B	59,000
D1	38,000
B2	41,000
B3	1,850
f	2,000

**WEIGHT, KG** 0,237

**MANUFACTURER** [NB](#)