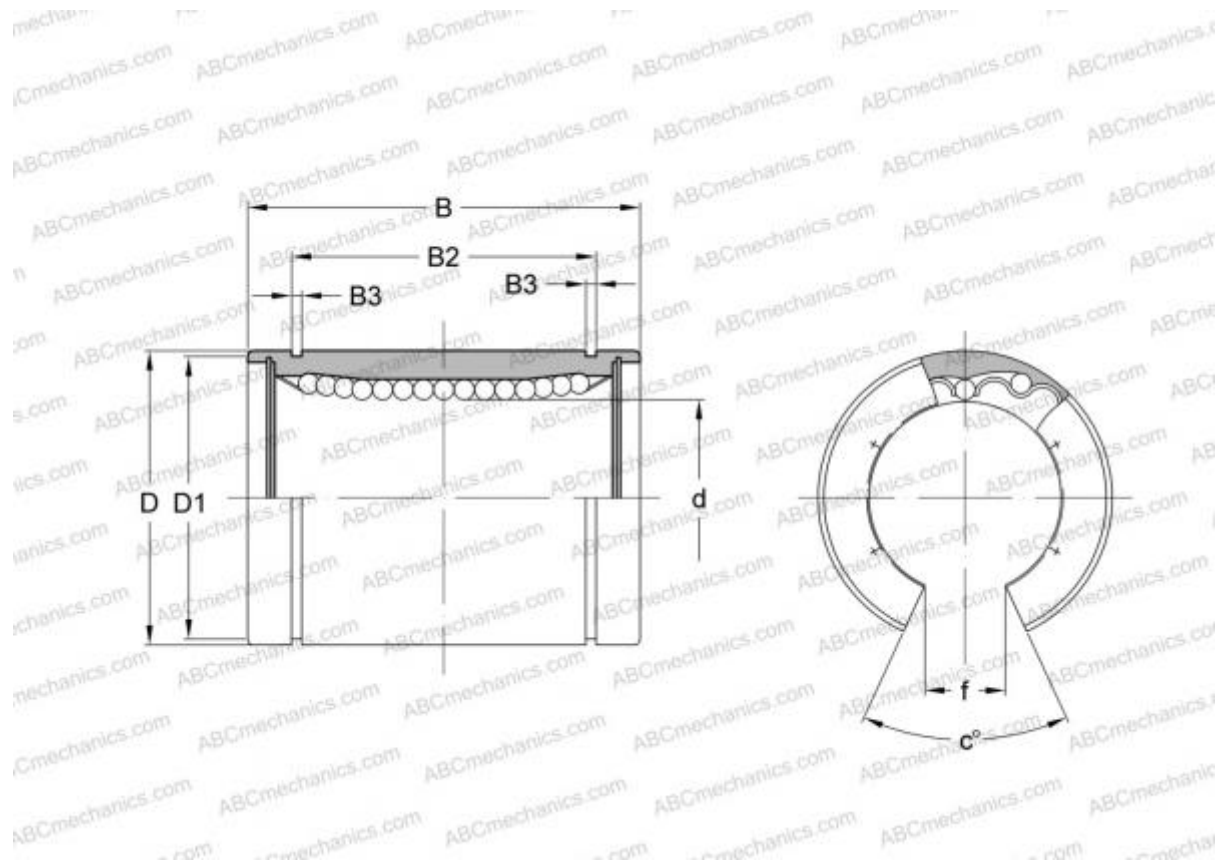


LM 203242 N F OP IKO

Linear bushing

TYPE: Shaft guidance systems, Linear bushing, Standard, Open type for support rail, Type LM..(N) F OP, stainless steel (IKO)



Technical specification

DIMENSIONS, MM

| | |
|---|--------|
| d | 20,000 |
| D | 32,000 |
| B | 42,000 |
| f | 11,000 |
| c | 60 |

WEIGHT, KG 0,069

MANUFACTURER [IKO](#)

CALCULATION DATA

| | |
|-------------------------------|----------|
| Basic dynamic load rating min | 0,562 kN |
| Basic dynamic load rating max | 0,668 kN |
| Basic static load rating min | 1,010 kN |
| Basic static load rating max | 1,470 kN |