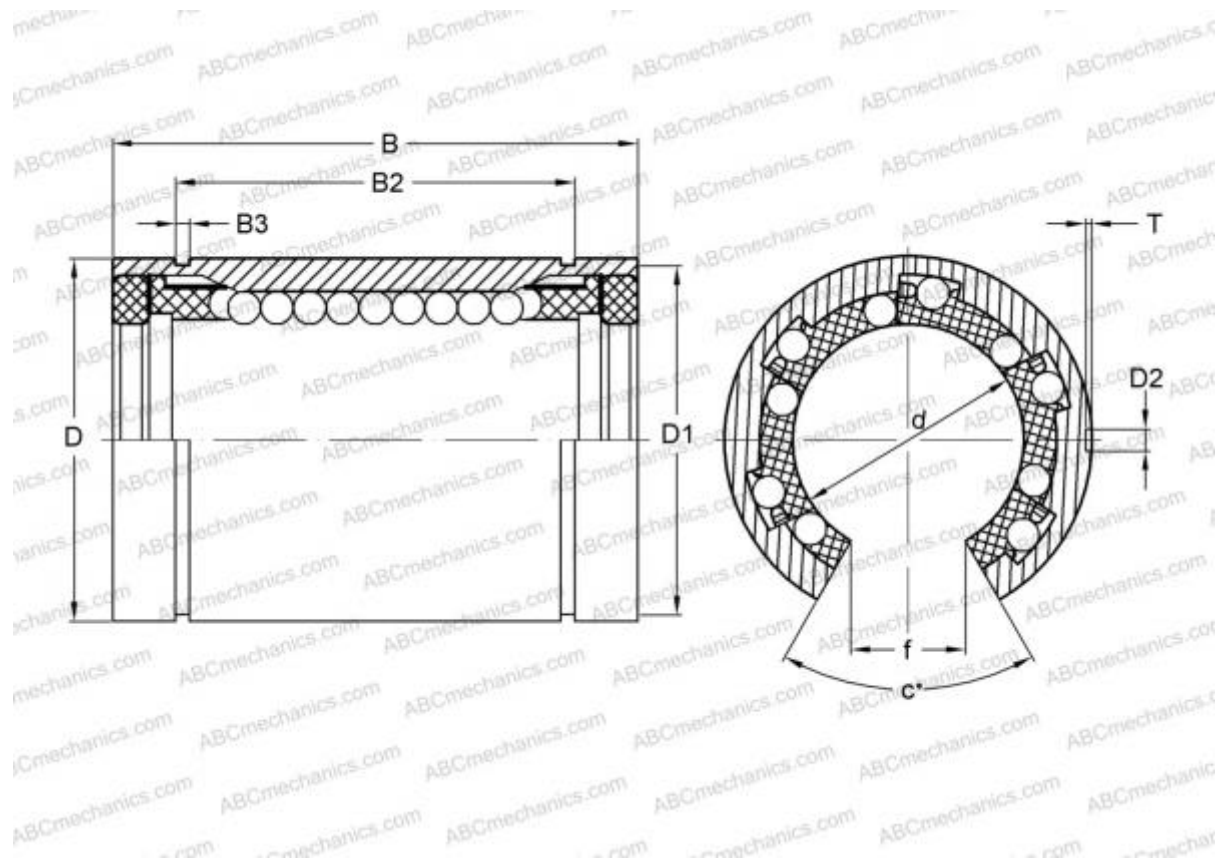


## LM 6090110 F UU OP IKO

Linear bushing

TYPE: Shaft guidance systems, Linear bushing, Standard, Open type for support rail, Type LM..(N) F UU OP, stainless steel, sealed on both sides (IKO)



### Technical specification

#### DIMENSIONS, MM

d	60,000
D	90,000
B	110,000
f	30,000
c	50

**WEIGHT, KG** 1,580

**MANUFACTURER** [IKO](#)

#### CALCULATION DATA

Basic dynamic load rating min	4,760 kN
Basic dynamic load rating max	5,040 kN
Basic static load rating min	8,150 kN
Basic static load rating max	10,400 kN