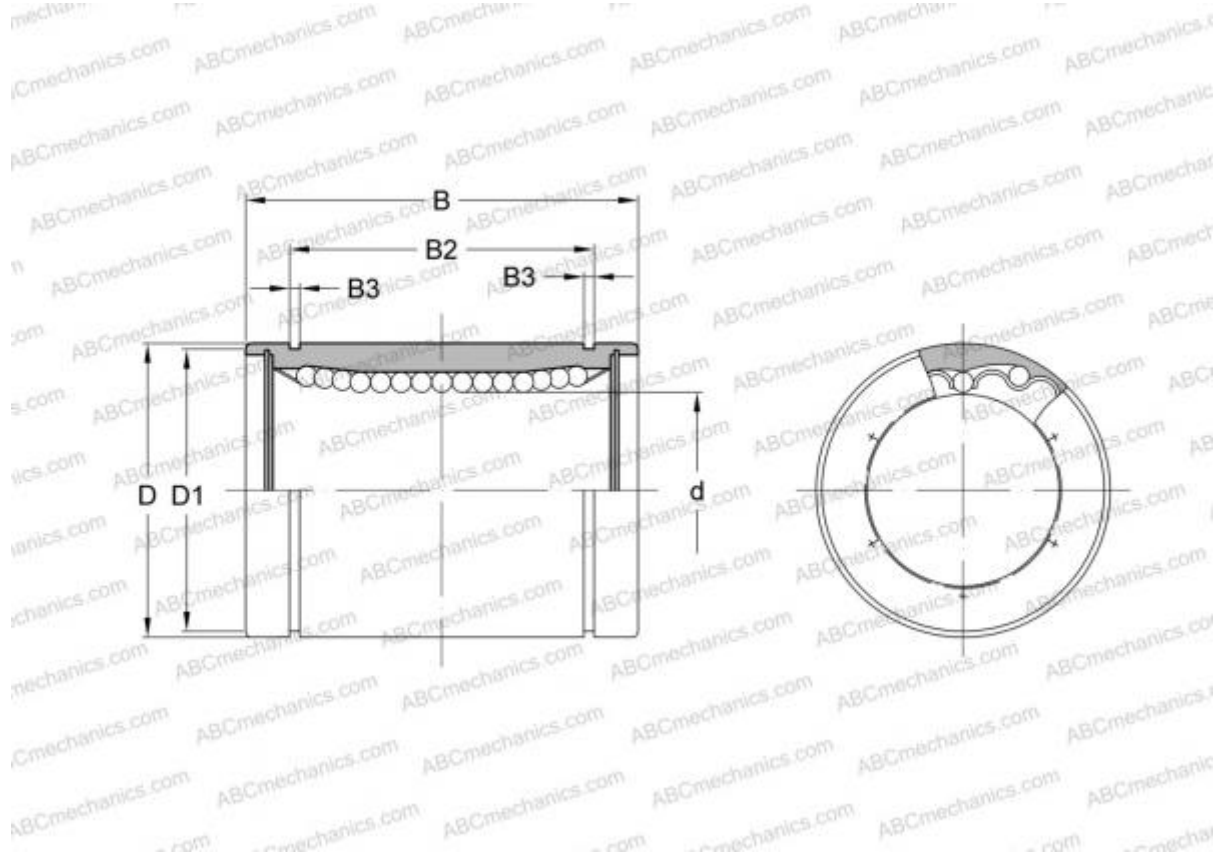


LME 203245 ABC

Linear bushing

TYPE: Shaft guidance systems, Linear bushing, Standard, Close type, Type LME..(N)



Technical specification

DIMENSIONS, MM

d	20,000
D	32,000
B	45,000

WEIGHT, KG 0,105

MANUFACTURER [ABC](#)

INTERCHANGE

IKO	LME 203245
STAR	0600-020-00
THOMSON	0600-020-00