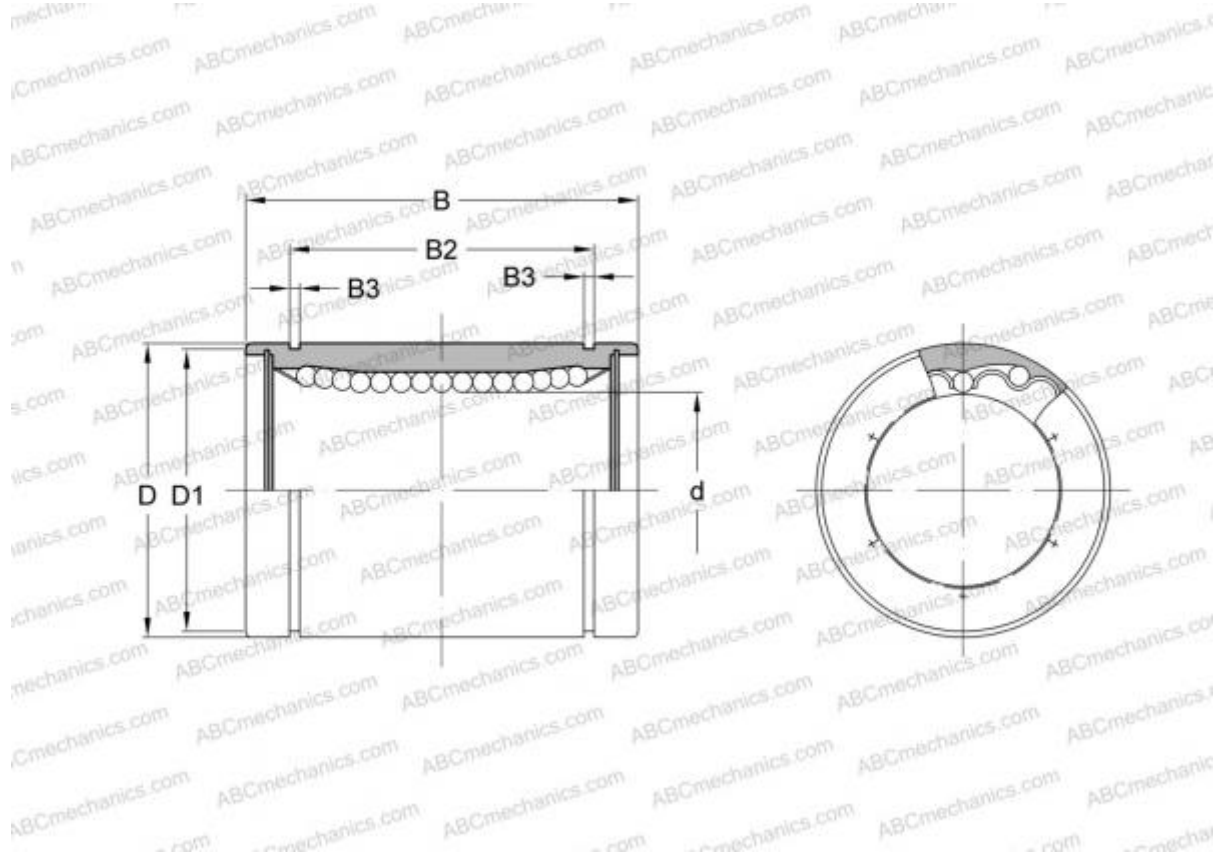


0600-025-00 STAR

Linear bushing

TYPE: Shaft guidance systems, Linear bushing, Standard, Close type, Type LME..(N)



Technical specification

DIMENSIONS, MM

d	25,000
D	40,000
B	58,000

WEIGHT, KG 0,240

MANUFACTURER [STAR](#)

INTERCHANGE

ABC	LME 254058
IKO	LME 254058
THOMSON	0600-025-00