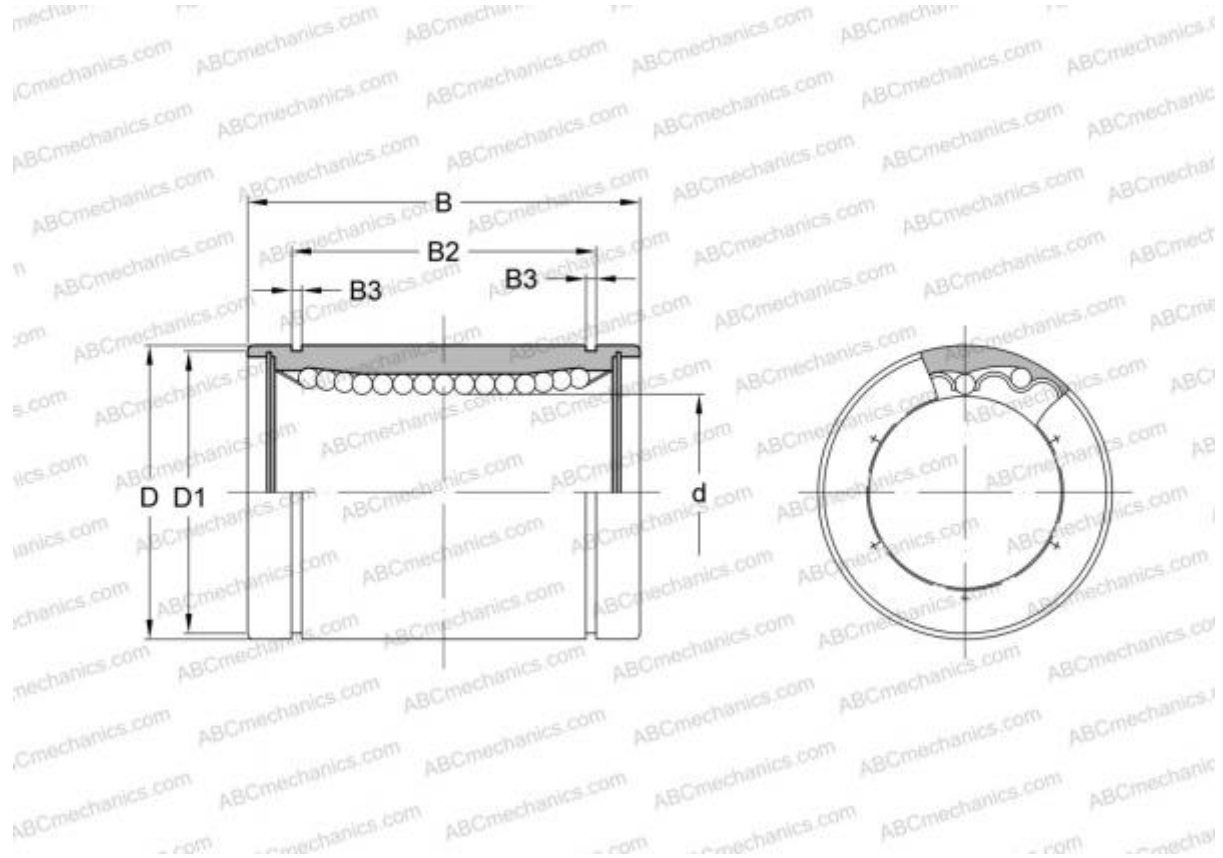


## LME 304768 IKO

Linear bushing

TYPE: Shaft guidance systems, Linear bushing, Standard, Close type, Type LME..(N)



### Technical specification

#### DIMENSIONS, MM

d	30,000
D	47,000
B	68,000

**WEIGHT, KG** 0,360

**MANUFACTURER** [IKO](#)

#### INTERCHANGE

ABC	<a href="#">LME 304768</a>
STAR	<a href="#">0600-030-00</a>
THOMSON	<a href="#">0600-030-00</a>

#### CALCULATION DATA

Basic dynamic load rating min	1,350 kN
Basic dynamic load rating max	1,430 kN
Basic static load rating min	2,500 kN

#### CALCULATION DATA

Basic static load rating max	3,200 kN
------------------------------	----------