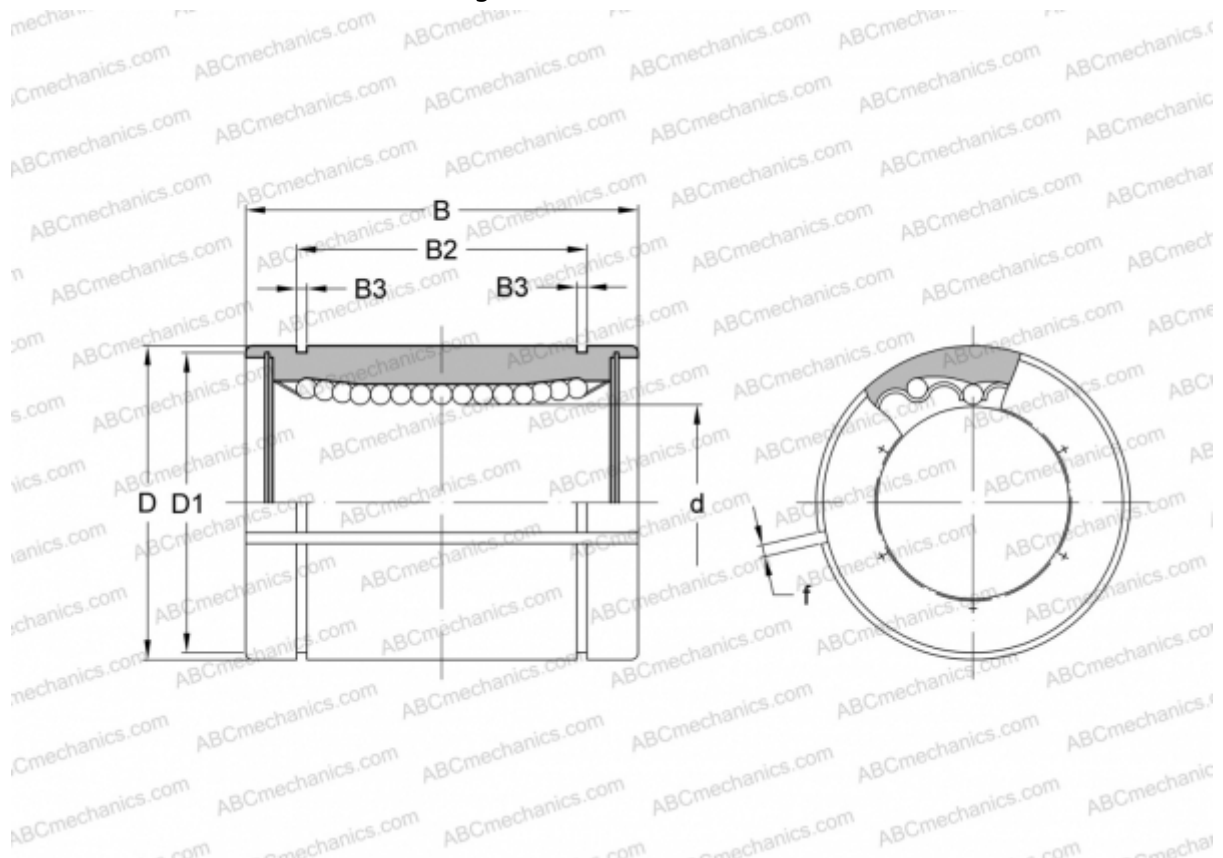


SMS 50G-AJ NB

Linear bushing

TYPE: Shaft guidance systems, Linear bushing, Standard, Adjustable type, Type SM..AJ, Asian standard, Corrosion resistance, Plastic cage (NB)



Technical specification

DIMENSIONS, MM

d	50,000
D	80,000
B	100,000
D1	76,500
B2	74,000
B3	2,600
f	3,000

WEIGHT, KG 1,680

MANUFACTURER [NB](#)