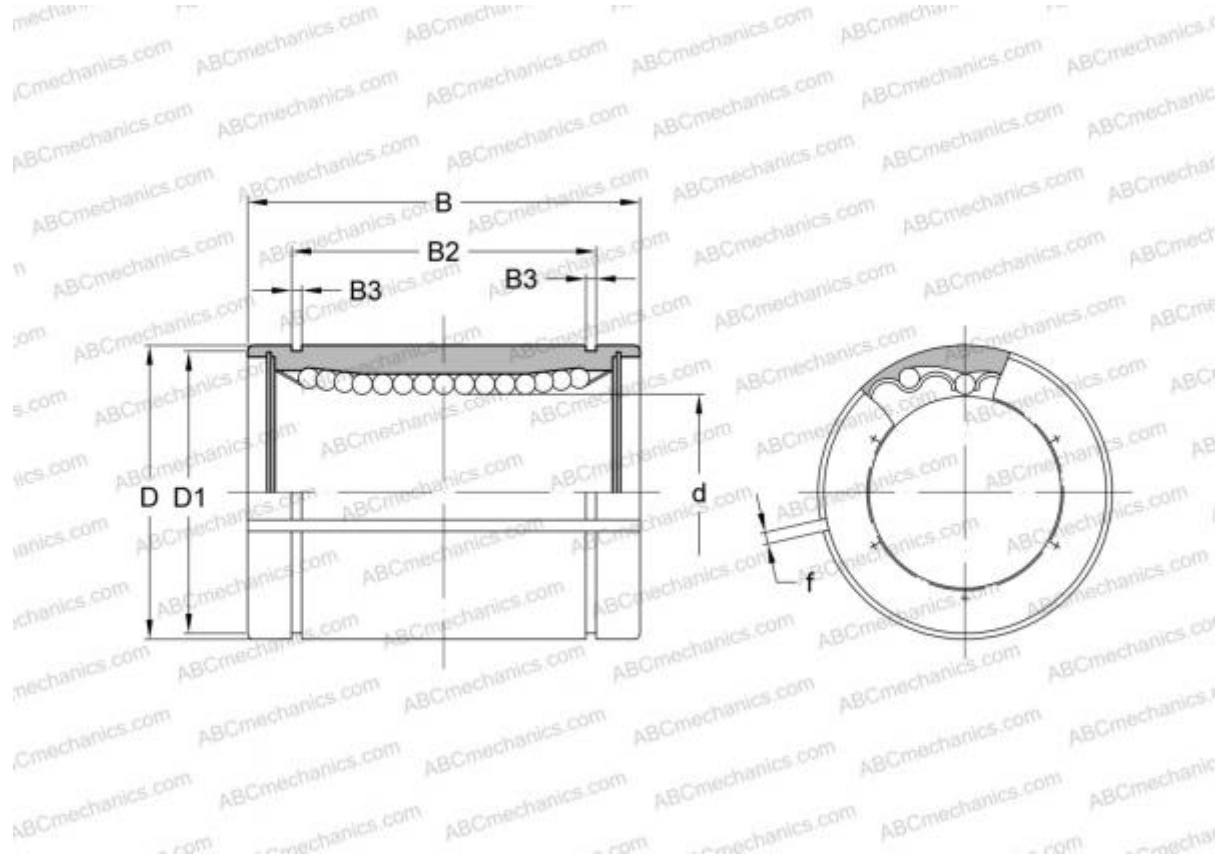


## LME 122232 AJ IKO

Linear bushing

TYPE: Shaft guidance systems, Linear bushing, Standard, Adjustable type, Type LME..(N) AJ



### Technical specification

#### DIMENSIONS, MM

d	12,000
D	22,000
B	32,000
f	1,500

**WEIGHT, KG** 0,045

**MANUFACTURER** [IKO](#)

#### INTERCHANGE

ABC	<a href="#">LME 122232 AJ</a>
STAR	<a href="#">0610-012-00</a>
THOMSON	<a href="#">0610-012-00</a>

#### CALCULATION DATA

Basic dynamic load rating min	0,259 kN
Basic dynamic load rating max	0,298 kN

#### CALCULATION DATA

Basic static load rating min	0,503 kN
Basic static load rating max	0,711 kN