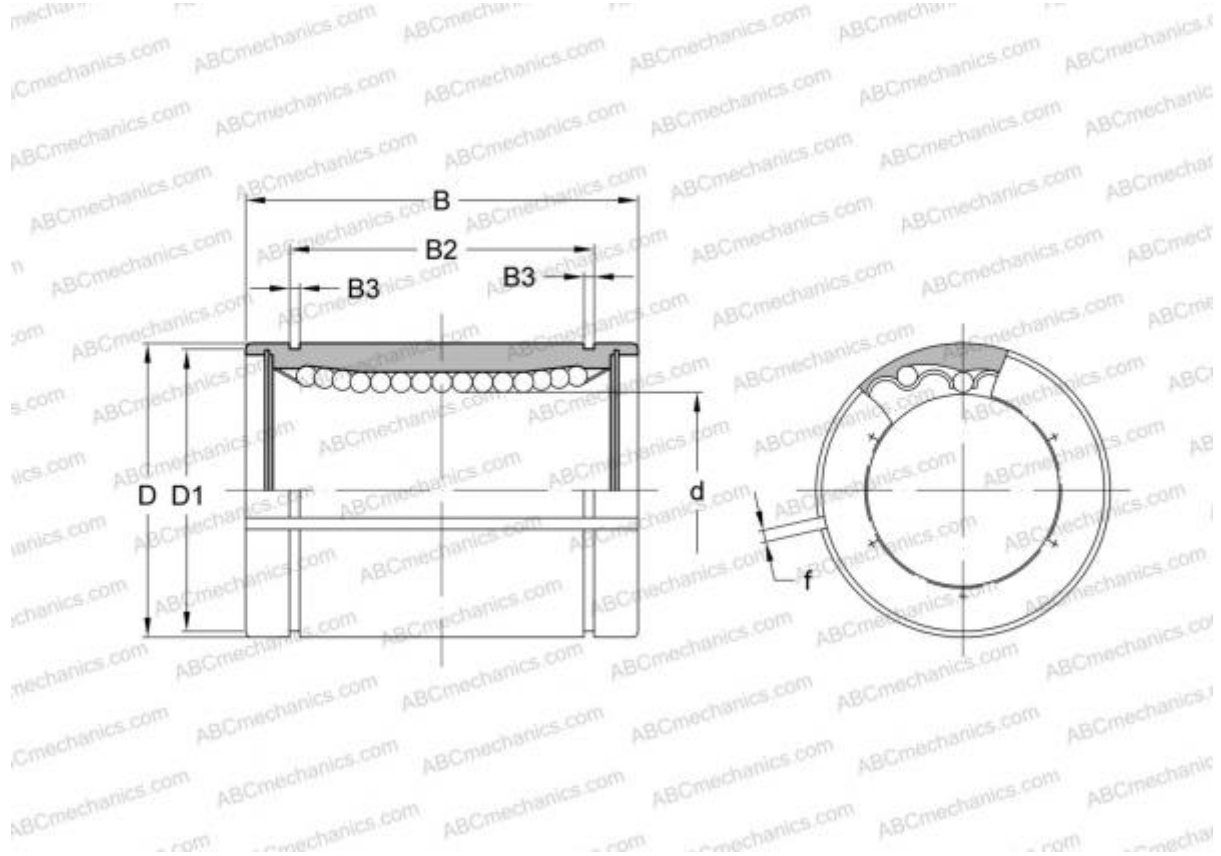


0610-012-00 STAR

Linear bushing

TYPE: Shaft guidance systems, Linear bushing, Standard, Adjustable type, Type LME..(N) AJ



Technical specification

DIMENSIONS, MM

d	12,000
D	22,000
B	32,000
f	1,500

WEIGHT, KG 0,045

MANUFACTURER [STAR](#)

INTERCHANGE

ABC	LME 122232 AJ
IKO	LME 122232 AJ
THOMSON	0610-012-00