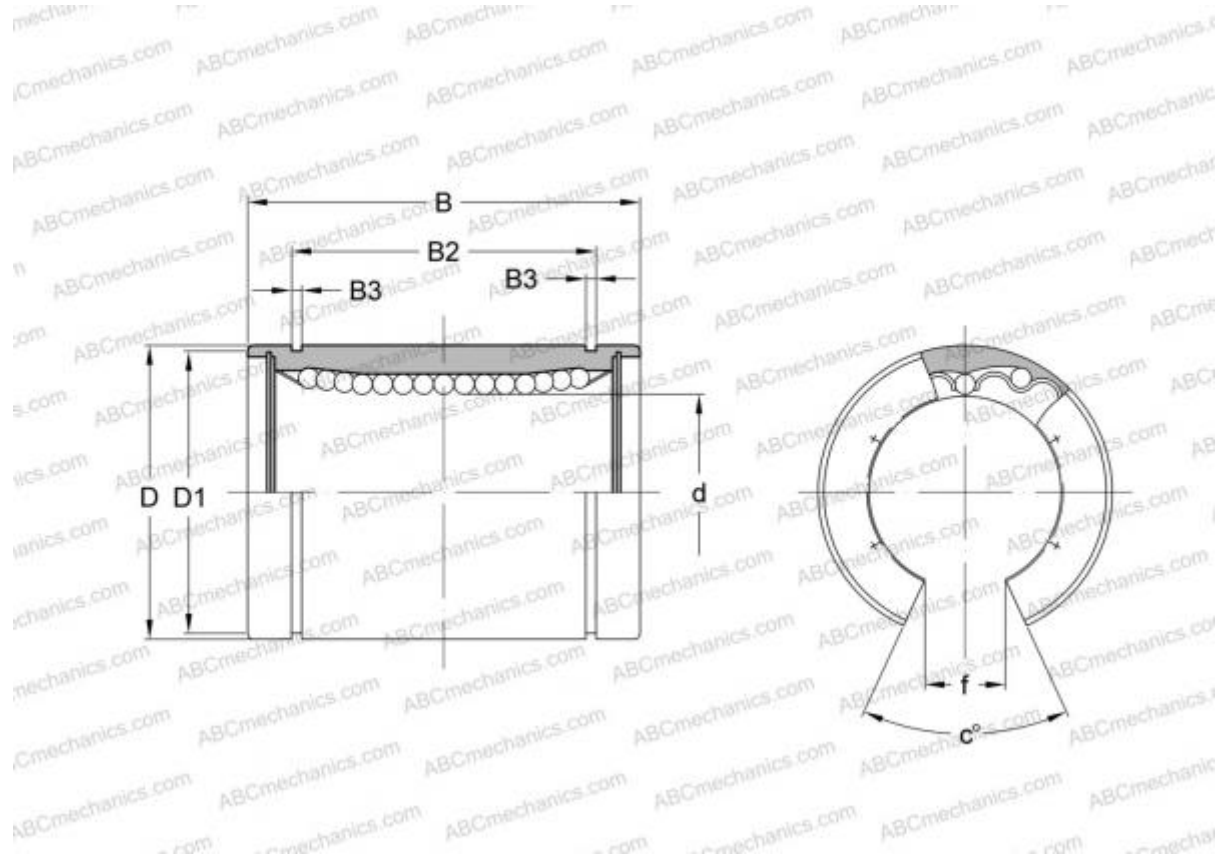


LME 122232 OP IKO

Linear bushing

TYPE: Shaft guidance systems, Linear bushing, Standard, Open type for support rail, Type LME..(N) OP



Technical specification

DIMENSIONS, MM

d	12,000
D	22,000
B	32,000
f	7,500
c	78,000

WEIGHT, KG 0,035

MANUFACTURER [IKO](#)

INTERCHANGE

ABC	LME 122232 OP
STAR	0630-012-00
THOMSON	0630-012-00

CALCULATION DATA

Basic dynamic load rating min	0,259 kN
-------------------------------	----------

CALCULATION DATA

Basic dynamic load rating max	0,298 kN
Basic static load rating min	0,503 kN
Basic static load rating max	0,711 kN