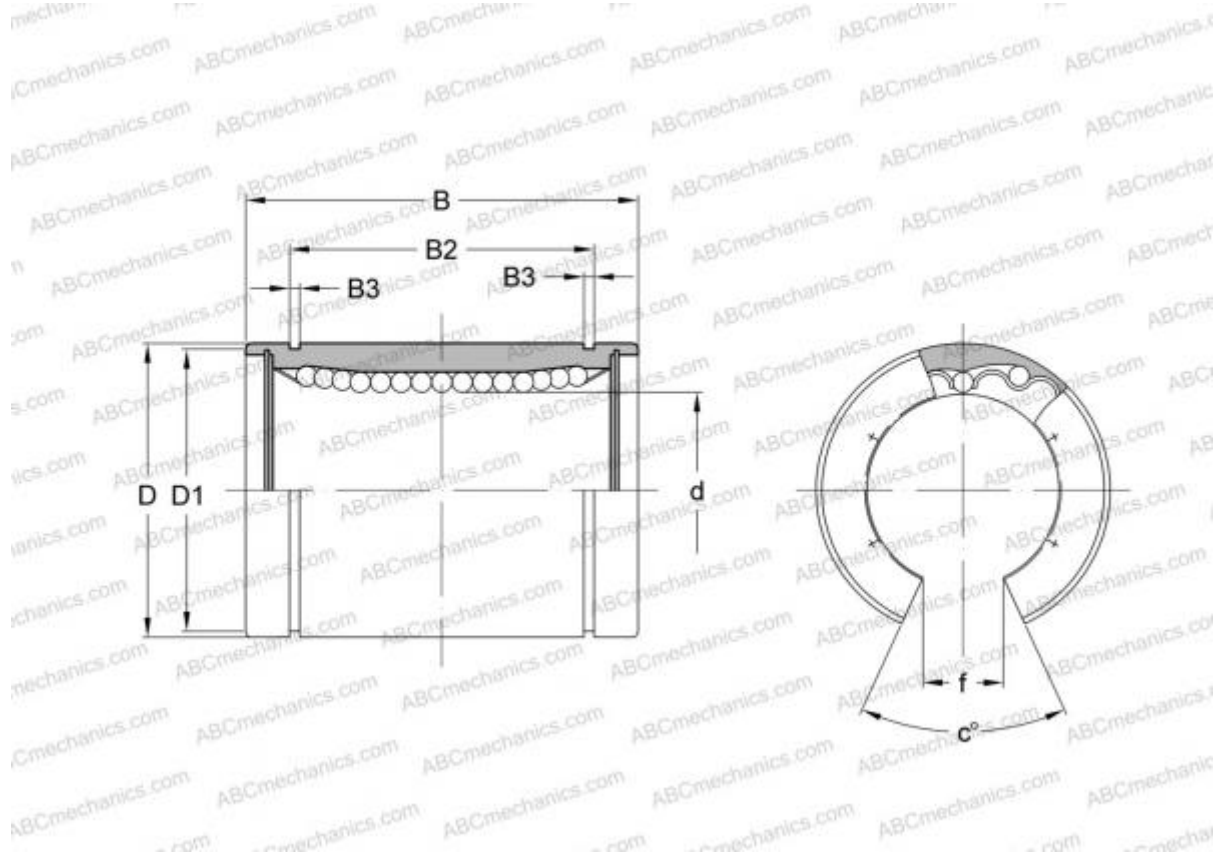


0630-016-00 STAR

Linear bushing

TYPE: Shaft guidance systems, Linear bushing, Standard, Open type for support rail, Type LME..(N) OP



Technical specification

DIMENSIONS, MM

d	16,000
D	26,000
B	36,000
f	10,000
c	78,000

WEIGHT, KG 0,045

MANUFACTURER [STAR](#)

INTERCHANGE

ABC	LME 162636 OP
IKO	LME 162636 OP
THOMSON	0630-016-00