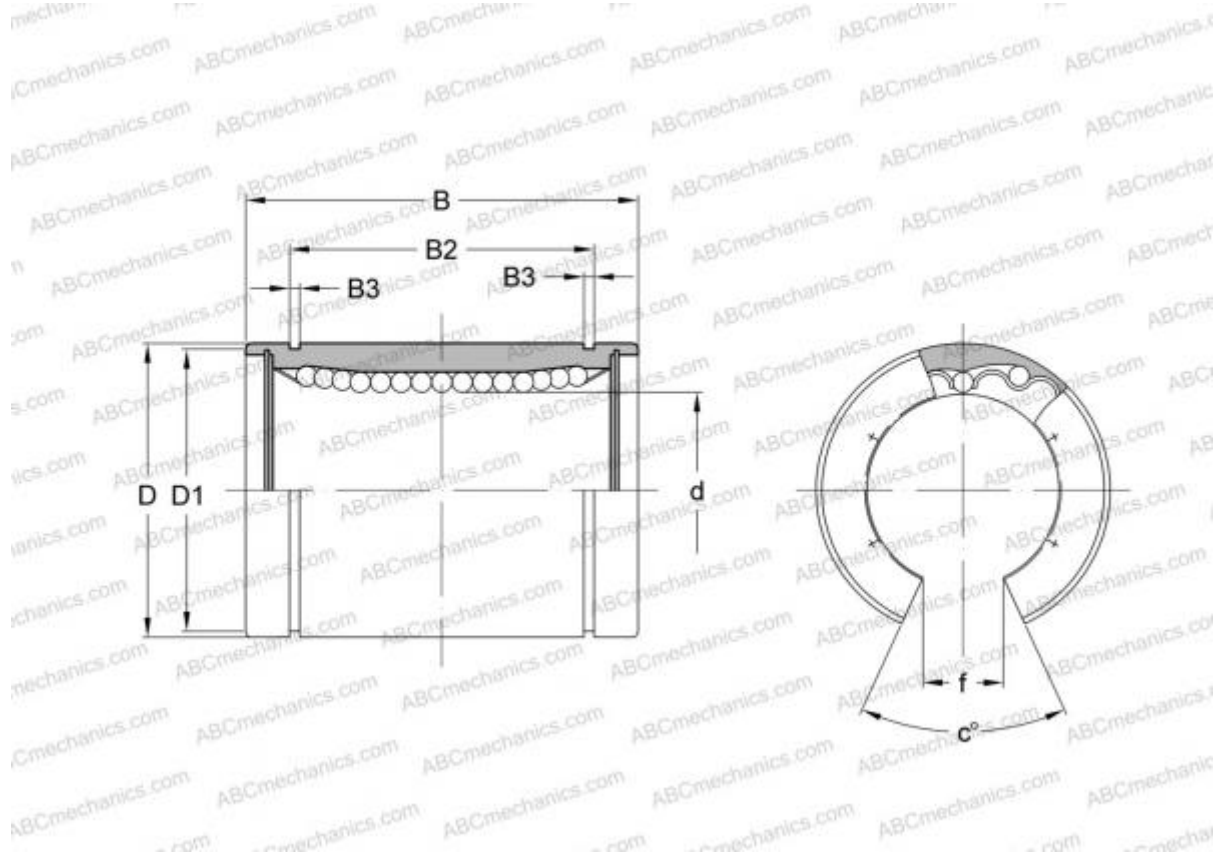


## 0630-016-00 THOMSON

Linear bushing

TYPE: Shaft guidance systems, Linear bushing, Standard, Open type for support rail, Type LME..(N) OP



### Technical specification

#### DIMENSIONS, MM

d	16,000
D	26,000
B	36,000
f	10,000
c	78,000

**WEIGHT, KG** 0,045

**MANUFACTURER** [THOMSON](#)

#### INTERCHANGE

ABC	<a href="#">LME 162636 OP</a>
IKO	<a href="#">LME 162636 OP</a>
STAR	<a href="#">0630-016-00</a>