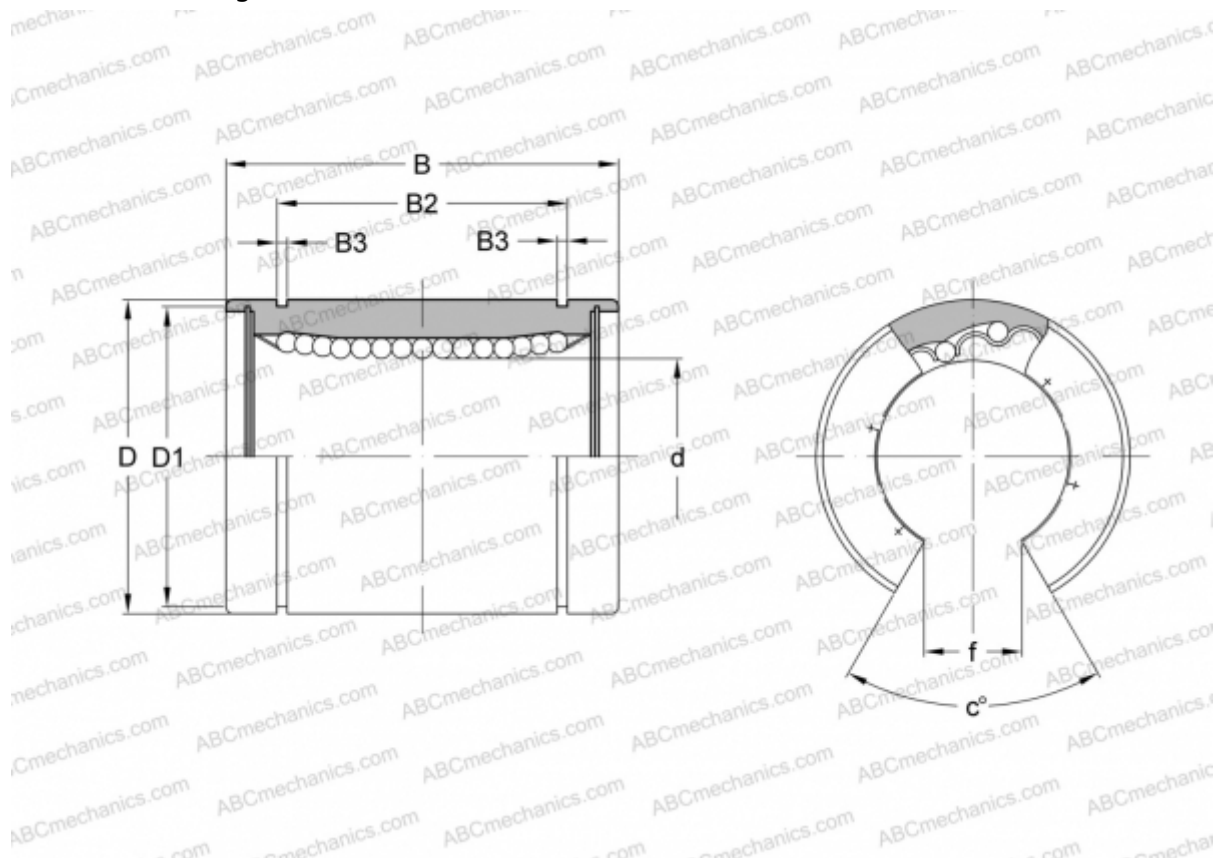


SM 35-OP NB

Linear bushing

TYPE: Shaft guidance systems, Linear bushing, Standard, Open type for support rail, Type SM..OP, Asian standard, Steel cage (NB)



Technical specification

DIMENSIONS, MM

d	35,000
D	52,000
B	70,000
D1	49,000
B2	49,500
B3	2,100
f	17,000
c	50

WEIGHT, KG 0,355

MANUFACTURER [NB](#)