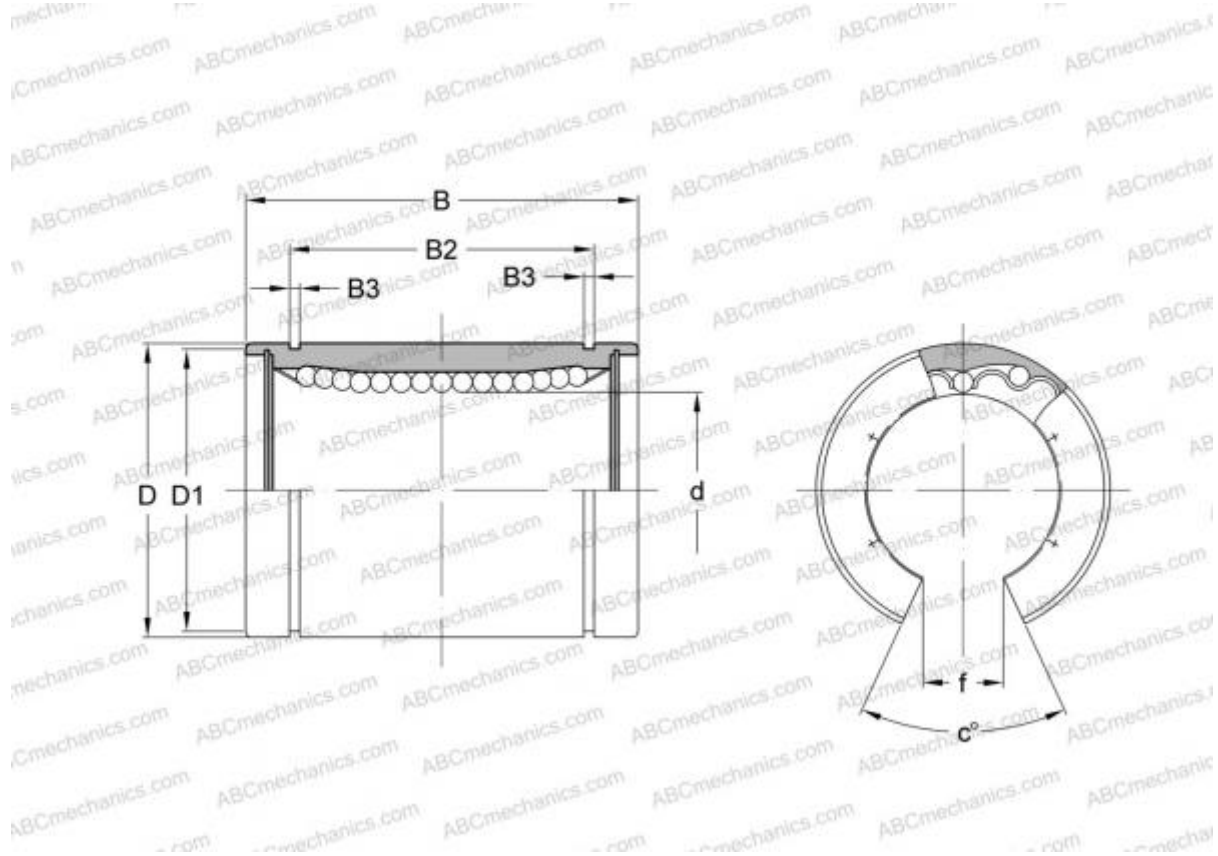


LME 304768 OP ABC

Linear bushing

TYPE: Shaft guidance systems, Linear bushing, Standard, Open type for support rail, Type LME..(N) OP



Technical specification

DIMENSIONS, MM

| | |
|---|--------|
| d | 30,000 |
| D | 47,000 |
| B | 68,000 |
| f | 12,500 |
| c | 50,000 |

WEIGHT, KG 0,300

MANUFACTURER [ABC](#)

INTERCHANGE

| | |
|---------|-------------------------------|
| IKO | LME 304768 OP |
| STAR | 0630-030-00 |
| THOMSON | 0630-030-00 |