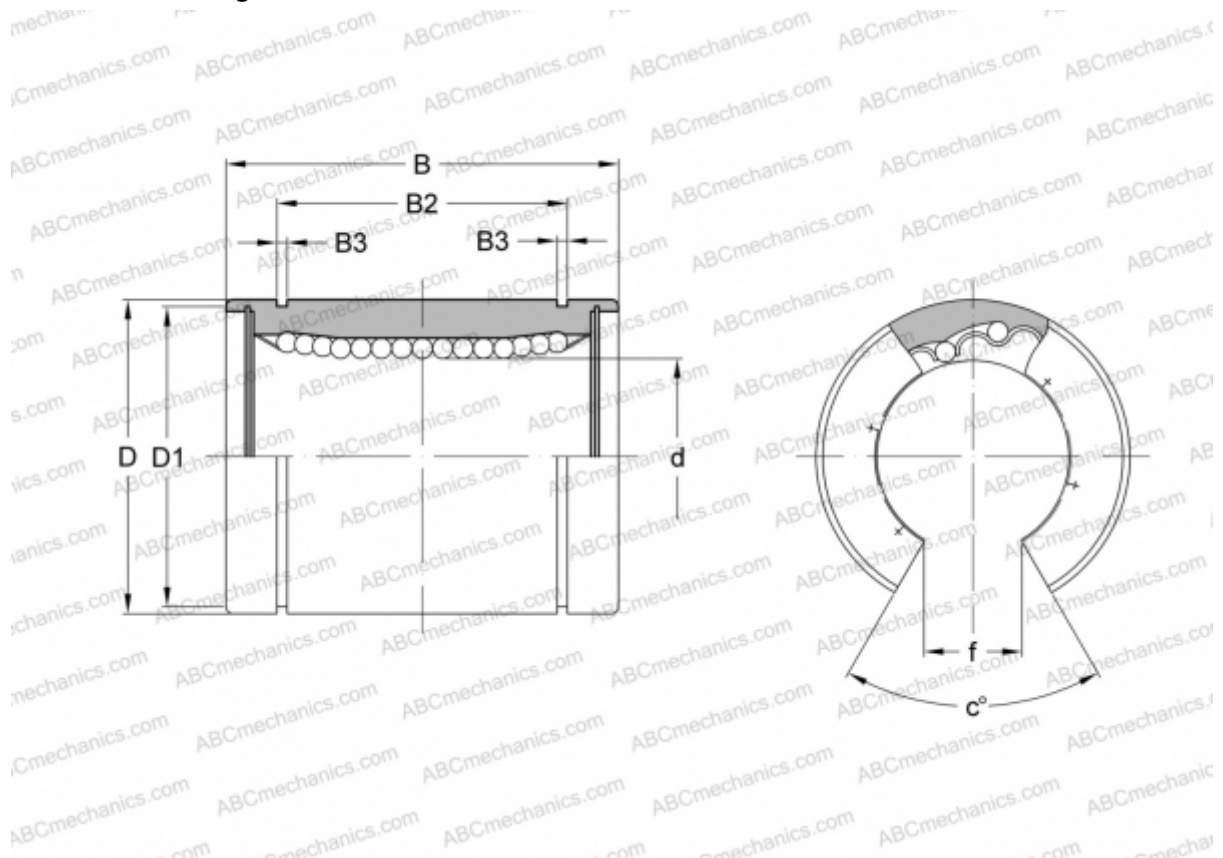


## SM 60-OP NB

Linear bushing

TYPE: Shaft guidance systems, Linear bushing, Standard, Open type for support rail, Type SM..OP, Asian standard, Steel cage (NB)



### Technical specification

#### DIMENSIONS, MM

|    |         |
|----|---------|
| d  | 60,000  |
| D  | 90,000  |
| B  | 110,000 |
| D1 | 86,500  |
| B2 | 85,000  |
| B3 | 3,150   |
| f  | 30,000  |
| c  | 50      |

**WEIGHT, KG** 1,650

**MANUFACTURER** [NB](#)