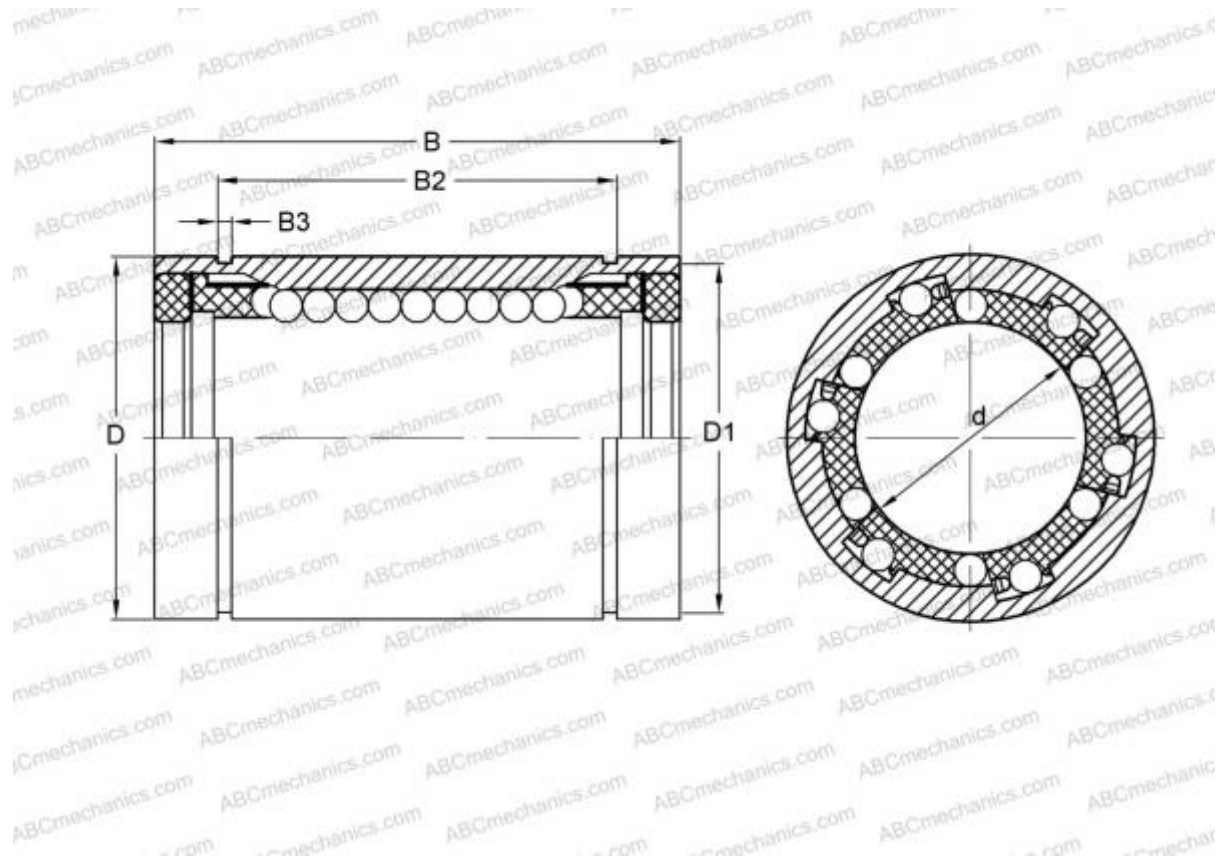


## LME 162636 UU IKO

Linear bushing

TYPE: Shaft guidance systems, Linear bushing, Standard, Close type, Type LME..(N) UU, sealed on both sides



### Technical specification

#### DIMENSIONS, MM

d	16,000
D	26,000
B	36,000

**WEIGHT, KG** 0,059

**MANUFACTURER** [IKO](#)

#### INTERCHANGE

ABC	<a href="#">LME 162636 UU</a>
STAR	<a href="#">0602-016-10</a>
THOMSON	<a href="#">0602-016-10</a>

#### CALCULATION DATA

Basic dynamic load rating min	0,283 kN
Basic dynamic load rating max	0,325 kN
Basic static load rating min	0,514 kN

#### CALCULATION DATA

Basic static load rating max	0,726 kN
------------------------------	----------