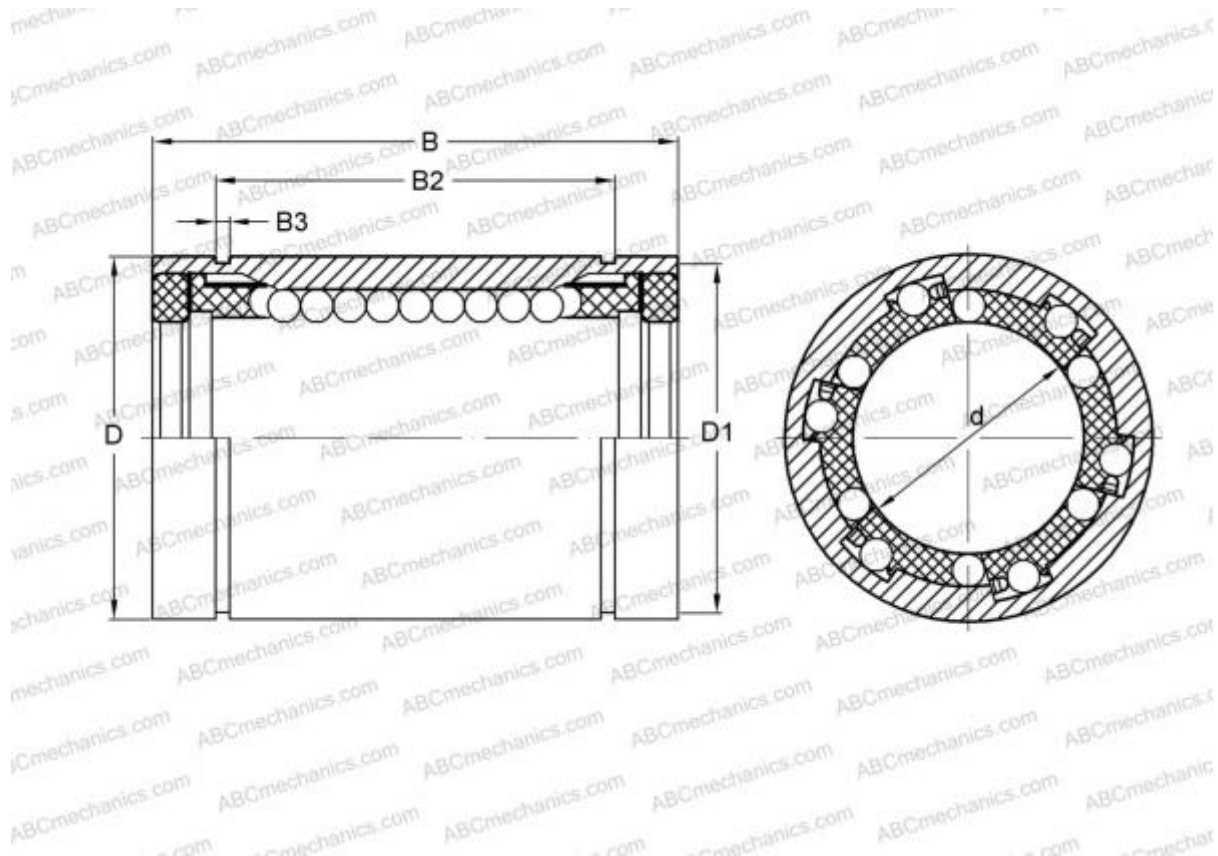


0602-016-10 THOMSON

Linear bushing

TYPE: Shaft guidance systems, Linear bushing, Standard, Close type, Type LME..(N) UU, sealed on both sides



Technical specification

DIMENSIONS, MM

d	16,000
D	26,000
B	36,000

WEIGHT, KG 0,059

MANUFACTURER [THOMSON](#)

INTERCHANGE

ABC	LME 162636 UU
IKO	LME 162636 UU
STAR	0602-016-10