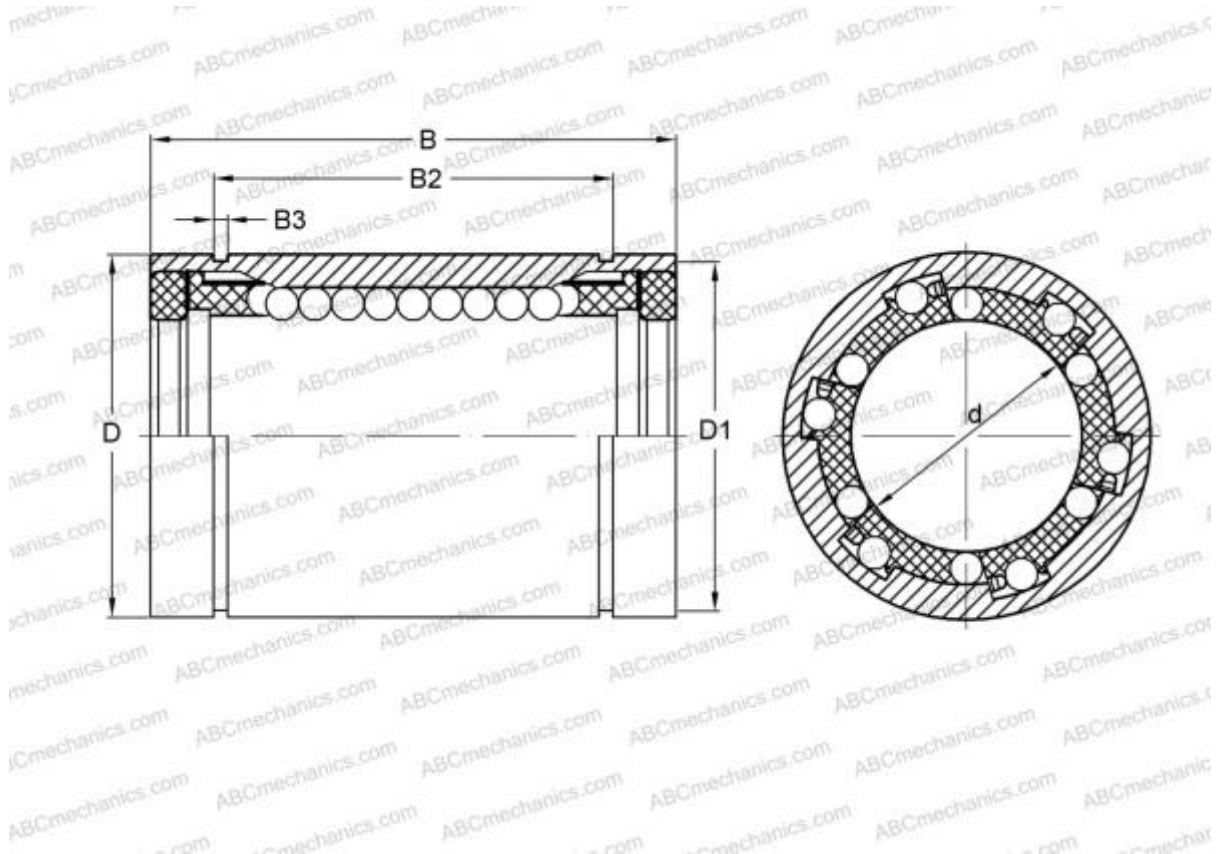


LME 203245 UU ABC

Linear bushing

TYPE: Shaft guidance systems, Linear bushing, Standard, Close type, Type LME..(N) UU, sealed on both sides



Technical specification

DIMENSIONS, MM

d	20,000
D	32,000
B	45,000

WEIGHT, KG 0,105

MANUFACTURER [ABC](#)

INTERCHANGE

IKO	LME 203245 UU
STAR	0602-020-10
THOMSON	0602-020-10