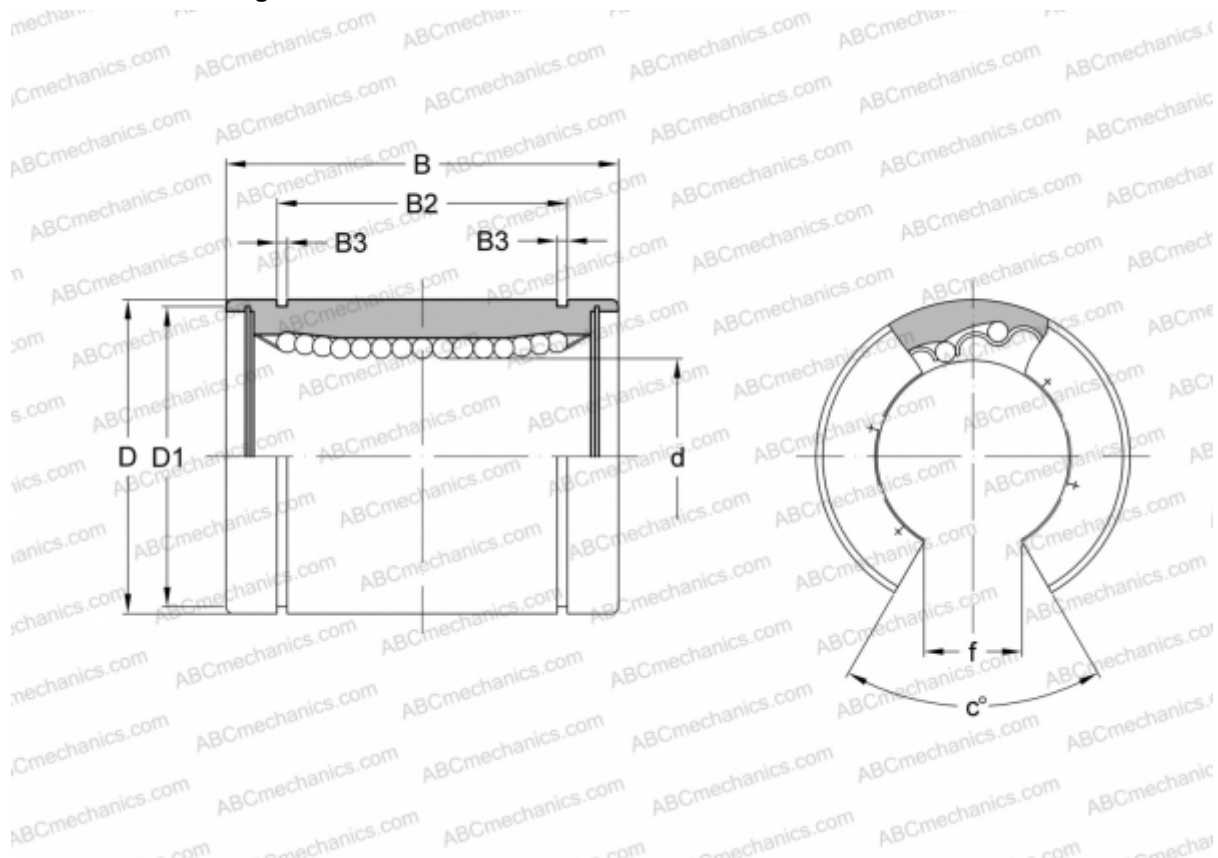


SM 16G-OP NB

Linear bushing

TYPE: Shaft guidance systems, Linear bushing, Standard, Open type for support rail, Type SM..OP, Asian standard, Plastic cage (NB)



Technical specification

DIMENSIONS, MM

d	16,000
D	28,000
B	37,000
D1	27,000
B2	26,500
B3	1,600
f	11,000
c	80

WEIGHT, KG 0,058

MANUFACTURER [NB](#)